



E-4

INSTALLATION INSTRUCTIONS AND SAFETY INFORMATION



RESIDENTIAL

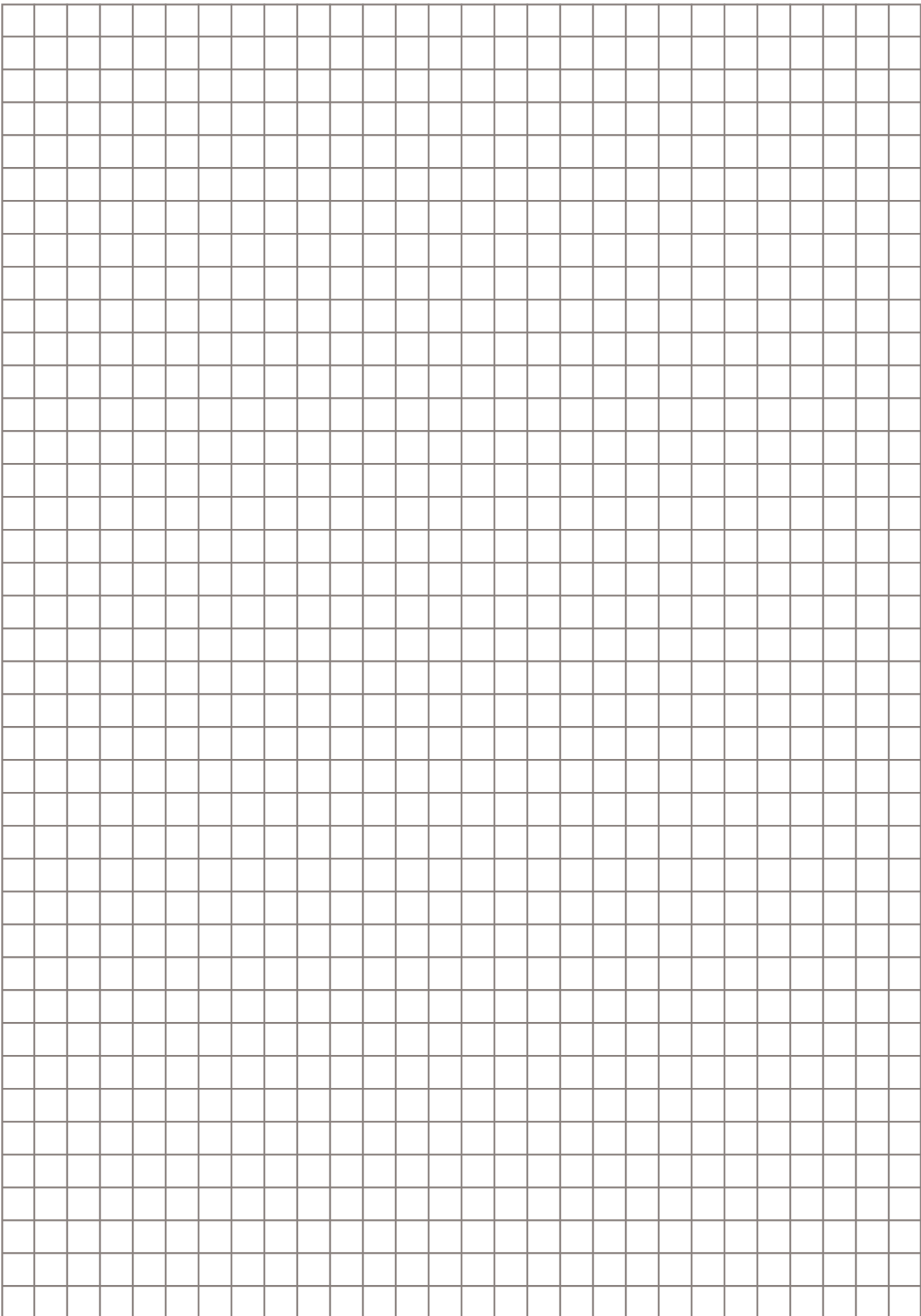
CLASS I VEHICULAR SWING GATE OPERATOR



The new E-4™ Residential Swing Gate Operator leads the industry in being the best, most cost effective residential linear arm actuator. This new design allows for a maximum gate capacity up to 850 lbs/10' or 550 lbs/16'. Featuring one Control Board for both Single and Dual gate applications, a convenient manual release handle and pre-wired for an easy and quick installation. It is ready to be powered with low voltage wiring, allowing installation versatility and accuracy.

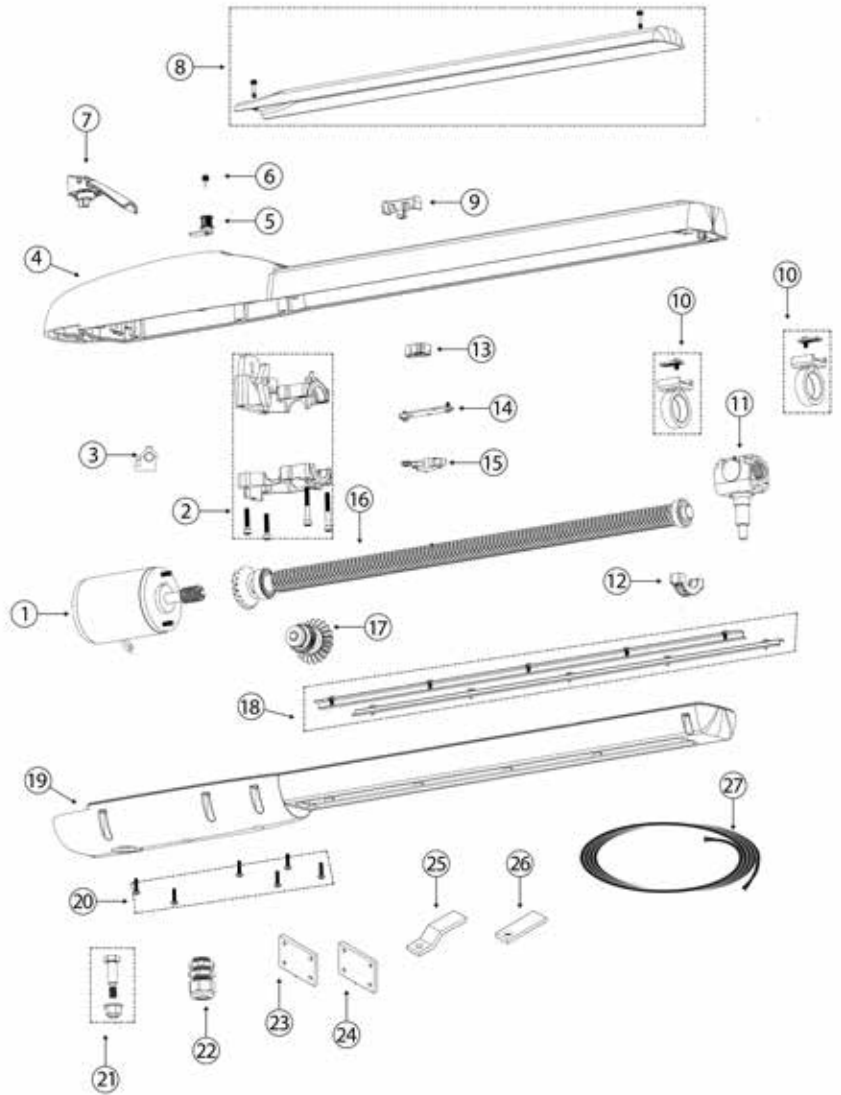
THE VIKING E-4™ SWING GATE OPERATOR



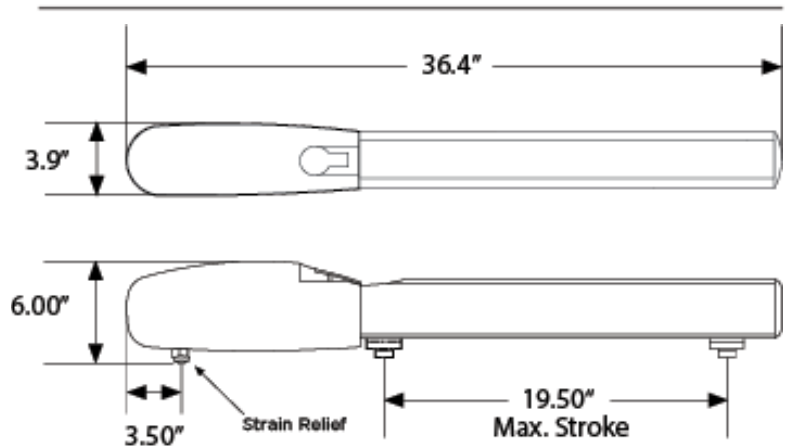


PARTS DIAGRAM - OPERATOR:

Item	Description	Part No.
1	Motor (24 VDC)	E4MO
2	Gearbox Chassis	E4GBC
3	Grease Cup	E4GGC
4	Casing Upper	E4CU
5	Lock & Keys, Manual Release	E4LMR
6	Key, Manual Release	E4KEY
7	Handle, Manual Release	E4HMR
8	Access Cover	E4AC
9	Level Assembly	E4LA
10	Limit Positive Stop	E4LPS
11	Carrier Assembly	E4CA
12	Bearing Cap	E4BC
13	Cam, Manual Release	E4CMR
14	Plate, Manual Release	E4PMR
15	Switch, Manual Release	E4SMR
16	Leadscrew Assembly	E4LSA
17	Gear Drive Assembly	E4GDA
18	Dust Brush Set (optional)	E4DB
19	Casing Lower	E4CL
20	Casing Mounting Bolts	E4CMB
21	Mounting Hardware, Back	E4MHB
22	Strain Relief	E4SR
23	Bracket Mounting Plate 3X4"	E4BMP3X4
24	Bracket Mounting Plate 4X6"	E4BMP4X6
25	Mounting Bracket, Front	E4MBF
26	Mounting Bracket, Back	E4MBB
27	2 Conductor Cable	VA-2CB16

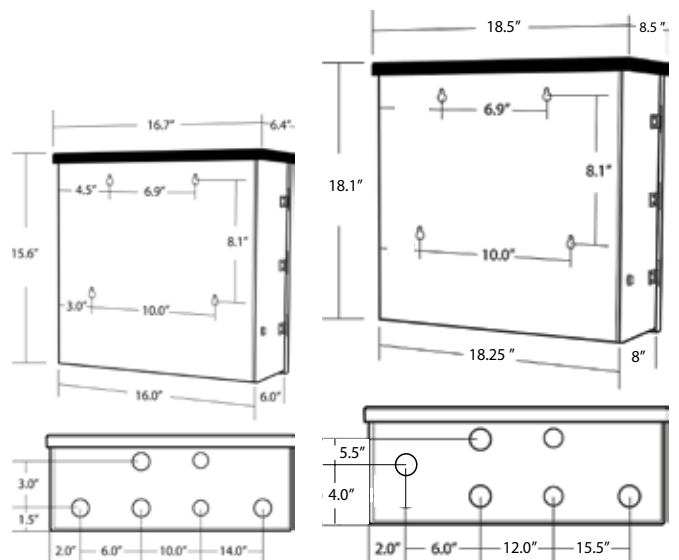
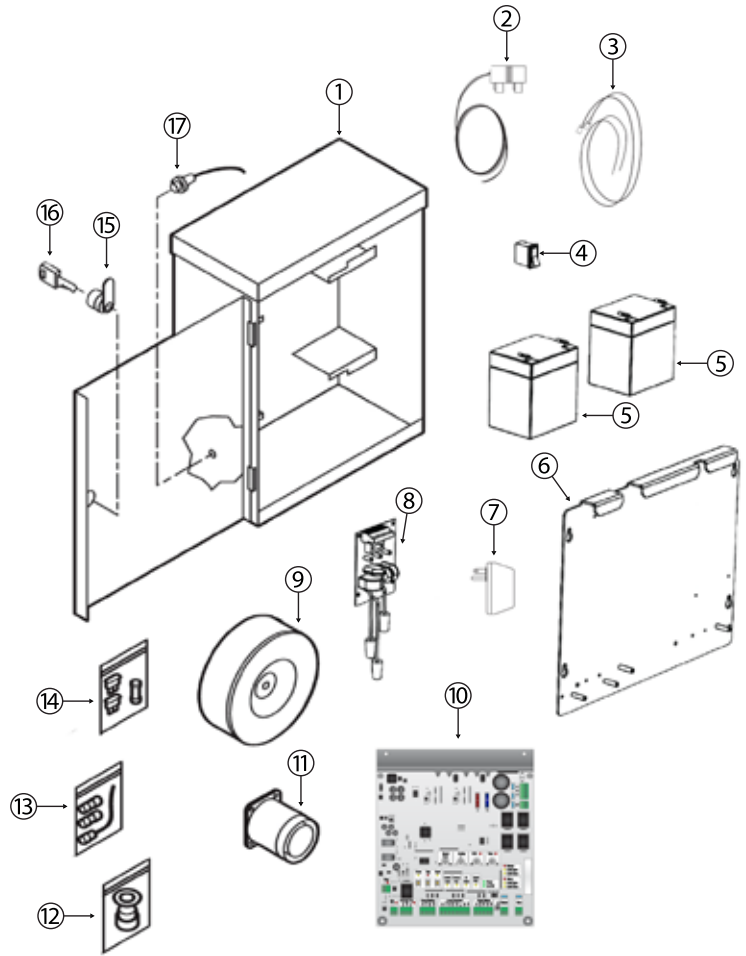


Overall Dimensions



PARTS DIAGRAM - CONTROLLER:

Item	Description	Part No.
1	ECU Cabinet Chassis (Standard)	VNXECUBB
2	Power Harness	E4PH
3	Battery Harness	E4BTH
4	Battery Switch	DUMRS10
5	Battery	DUBB12
6	Board Mounting Plate	E4CBMP
7	Plug-in Transformer	PT24VIA
8	EMI Board (optional)	DUEMI10
9	Toroid Transformer - 10 amp (optional)	DUTT10
10	Control Board	VE4PCB
11	Alarm	DUAL10
12	Strain Relief (ECU)	DH3/4NMCC
13	Radio Antenna Kit	VARAK
14	Fuse Kit	E4FSKT
15	Lock & Keys, Door	ECUKEYC20
16	Key, Door	ECUKEY20
17	Alarm Reset Switch	ECURW

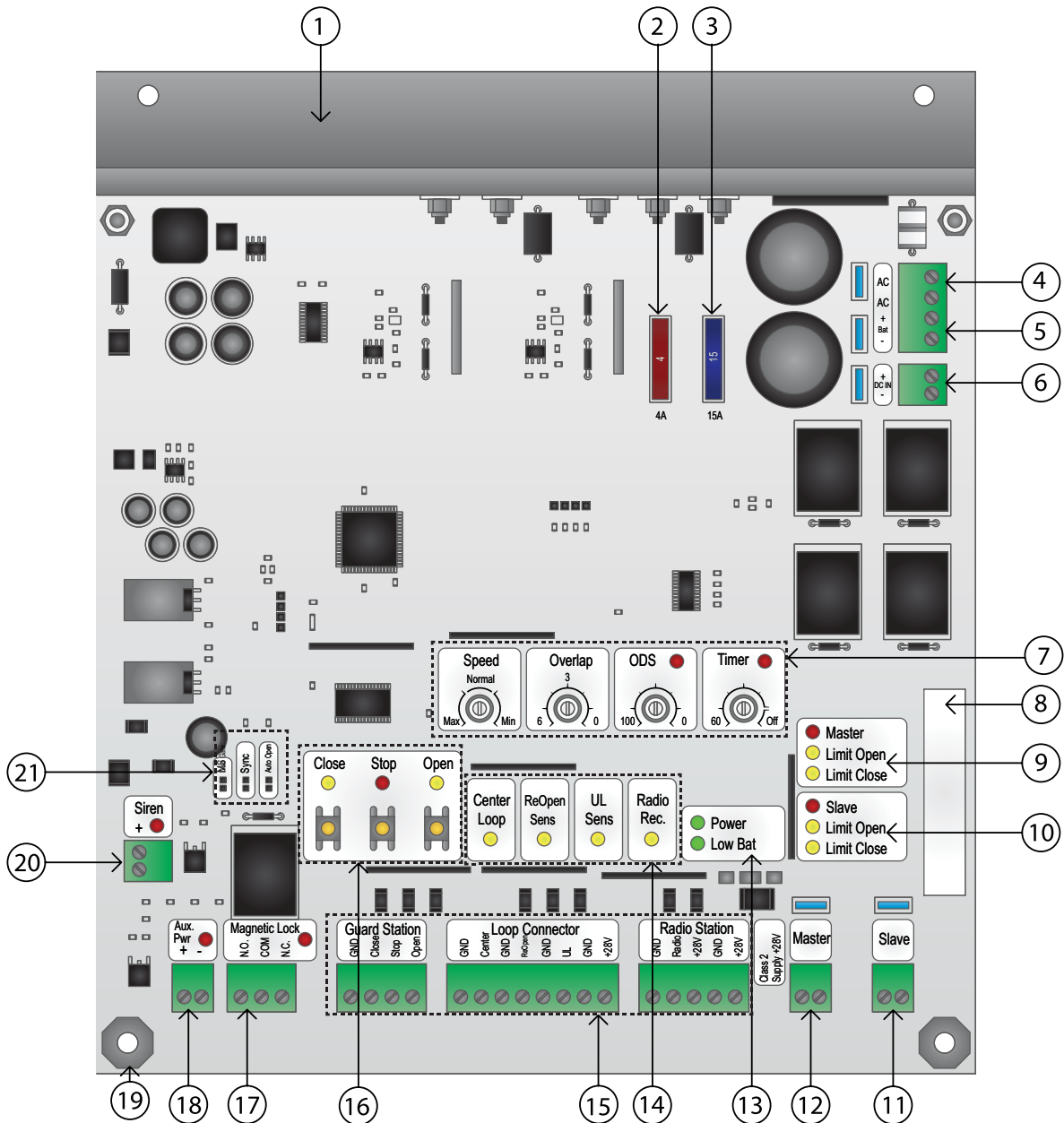


Standard ECU *

Large ECU
(OPTIONAL)
#VA-ECUBBB

*Standard ECU is depicted and related to parts list provided.

CONTROL BOARD REFERENCES:



1. HEAT SINK - MASTER/SINGLE secures the control board and dissipates heat.
2. FUSE HOLDER - 4 AMP for the charging circuit.
3. FUSE HOLDER - 15 AMP for the motor circuit.
4. AC POWER CONNECTION 24VAC to the control board. pg 20
5. BATTERY CONNECTION 24VDC charge voltage to the batteries.
6. DC POWER CONNECTION 24VDC to the control board. pg 21
7. FEATURE ACTIVATION TRIM POTS activate and set features. pg 24
8. SERIAL NUMBER control board serial number for identification
9. MASTER MOTOR STATUS LEDs indicates sMaster motor status. pg 34
10. SLAVE MOTOR STATUS LEDs indicates Slave motor status. pg 34
11. SLAVE MOTOR CONNECTION provides power to the Slave motor. pg 23
12. MASTER or SINGLE MOTOR CONNECTION provides power to the Master motor. pg 22
13. POWER and BATTERY STATUS LEDs indicates power supply status. pg 22
14. INPUT STATUS LEDs indicates input status. pg 35
15. ACCESS CONTROL TERMINAL BLOCKS accessory connections. pg 27-29, 37-39
16. ON-BOARD 3 BUTTON STATION controls the gate during setup and testing
17. "MAGNETIC LOCK Relay" and Status LED status of this on-board relay. pg 31, 35
18. "AUX. PWR" Terminal Block used for solar applications & in-motion warning devices. pg 21
19. CONTROL BOARD MOUNTING HOLES secures and grounds the control board.
20. "Siren" Terminal Block Vikings UL Siren is connected here. pg 12, 26
21. FEATURE ACTIVATION PIN HEADERS activate features by placing a jumper onto the pin headers. pg 25

TABLE OF CONTENTS:

PARTS DIAGRAM/PARTS LIST	2
OPERATOR REFERENCES	3
CONTROL BOARD REFERENCES	4
IMPORTANT SAFETY INFORMATION	6-12
Important Safety Instructions.....	6
Important Installation Instructions.....	7
Maintenance.....	8
General Safety Precautions.....	8-9
Operator Classification.....	9
Secondary Entrapment Protection Requirements.....	10
Secondary Entrapment Protection Installation.....	11
Manual Release.....	11
Audible Alarm Reset Installation.....	12
Warning Placard Installation.....	12
IMPORTANT INSTALLATION INFORMATION	13
Specifications.....	13
GATE OPERATOR INSTALLATION	14-18
Pull to Open Installation.....	14
Push to Open Installation.....	15
Mounting the Gate Operator.....	16
Post Mounting Option.....	17
Limit Position Setup.....	18
ECU BOX INSTALLATION	19
ELECTRICAL INSTALLATION	20-23
High Voltage Supply Option.....	20
Low Voltage Supply Option.....	21
Solar Supply Option.....	21
Motor Cable.....	22-23
CONTROL BOARD SETUP	24-26
Initial Settings.....	24-25
Obstruction Detection Sensor (ODS).....	26
ACCESSORY CONNECTIONS	27-32
Radio Receiver (Typical).....	27
Open Commands, Guard Station.....	28
Viking Loop Rack.....	29
Guidelines for Loop Installations.....	30
Magnetic Lock, Lock Solenoid.....	31
Barrier Arm Synchronization	32
TROUBLESHOOTING	34-36
LED References.....	34-35
Solutions.....	36
APPENDIX A & B	37-40
VIKING EXPANSION PRODUCTS	42

IMPORTANT SAFETY INFORMATION

 **WARNING! Not Following these instructions may cause severe injury or death.**

IMPORTANT SAFETY INSTRUCTIONS

 **WARNING! To reduce the risk of severe injury or death.**

1. READ AND FOLLOW ALL INSTRUCTIONS.
2. Never let children operate or play with gate controls. Keep the remote away from children.
3. Always keep people and objects away from the gate. **NO ONE SHOULD CROSS THE PATH OF THE MOVING GATE.**
4. Test the gate operator monthly. The gate **MUST** reverse on contact with a rigid object or when an object activates the non-contact sensors. After adjusting the force or the limit travel, retest the gate operator. Failure to adjust and retest the gate operator properly can increase the risk of injury or death.
5. Use the emergency release only when the gate is not moving.
6. **KEEP GATES PROPERLY MAINTAINED.** Read the user's manual. Have a qualified service person make repairs to gate hardware.
7. The entrance is for vehicles only. Pedestrians must use a separate entrance.
8. **Every gate operator installation MUST have secondary protection devices against entrapment, such as edge sensors and photo beams more in particularly in places where the risk of entrapment is more likely to occur.**
9. SAVE THESE INSTRUCTIONS.

IMPORTANT INSTALLATION INSTRUCTIONS

1. Install the gate operator only when:
 - a. The operator is appropriate for the construction of the gate and usage Class of the gate (refer to page 9),
 - b. All openings of a horizontal slide gate are guarded or screened from the bottom of the gate to a minimum of 6 feet (1.83 m) above the ground to prevent a 2-1/4 inch (57.2 mm) diameter sphere from passing through the openings anywhere in the gate, and in that portion of the adjacent fence that the gate covers in the open position,
 - c. **ALL EXPOSED PINCH POINTS ARE ELIMINATED OR GUARDED, AND**
 - d. **GUARDING IS SUPPLIED FOR EXPOSED ROLLERS.**
2. The Operator is intended for installation only on gates used for vehicles. Pedestrians must be supplied with a separate access opening. The pedestrian access opening shall be designed to promote pedestrian usage. Locate the gate such that persons will not come into contact with the vehicular gate during the entire path of travel of the vehicular gate.
3. The gate must be installed in a location so that enough clearance is supplied between the gate and adjacent structures when opening and closing to reduce the risk of entrapment. Swinging gates shall not open in to the public access areas.
4. The gate must be properly installed and work freely in both directions prior to the installation of the gate operator. Do not over-tighten the operator clutch or pressure relief valve to compensate for a damaged gate.
5. The gate operator controls must be placed so that the user has full view of the gate area when the gate is moving **AND AWAY FROM THE GATE PATH PERIMETER.**
6. Controls intended for user activation must be located at least six feet (6') away from any moving part of the gate and where the user is prevented from reaching over, under, around or through the gate to operate the controls.

Exception: Emergency access controls only accessible by authorized personnel (i.e. fire, police, EMS) may be placed at any location in the line-of-sight of the gate.

IMPORTANT SAFETY INFORMATION

⚠ WARNING! Not Following these instructions may cause severe injury or death.

IMPORTANT INSTALLATION INSTRUCTIONS (Continued)

7. The Stop and/or Reset button must be located in the line-of-sight of the gate. Activation of the reset control shall not cause the operator to start.
8. A minimum of two (2) WARNING SIGNS shall be installed, in the area of the gate. Each placard is to be visible by persons located on the side of the gate on which the placard is installed.
9. **For gate operators using non-contact sensors (photoelectric beam or like) in accordance with section 32.1.1 of the UL standard:**
 - a. See instructions on the placement of non-contact sensors for each type of application (refer to page 10).
 - b. Care shall be exercised to reduce the risk of nuisance tripping, such as when a vehicle, trips the sensor while the gate is still moving, and
 - c. One or more non-contact sensors shall be located where the risk of entrapment or obstruction exists, such as the perimeter reachable by a moving gate or barrier (refer to page 10).
 - d. For UL compliance: Use only Omron: E3K-R10K4-NR-1 // EMX: IRB-RET, IRB-MON // Miller Edge: RG-K-R, PG-K-R100, PG-K-R50, MIM-62
For ETL compliance: Use only Seco-Larm E-931-33PRGQ, E-936-S45RRGQ, E-931-S5ORRGQ, E-960-D90GQ // EMX NIR-50-325
10. **For a gate operator utilizing a contact sensor (edge sensor or like) in accordance with section 32.1.1 of the UL 325 standard:**
 - a. One or more contact sensors shall be located where the risk of entrapment or obstruction exists, such as a the leading edge, trailing edge, and post mounted both inside and outside of a vehicular horizontal slide gate (refer to page 10).
 - b. One or more contact sensors shall be located at the bottom of a vehicular vertical lift gate.
 - c. One or more contact sensors shall be located at the pinch point of a vehicular vertical pivot gate.
 - d. A hardwired contact sensor shall be located and its wiring arranged so that the communication between the sensor and the gate operator is not subject to mechanical damage.
 - e. A wireless contact sensor such as one that transmits radio frequency (RF) signals to the gate operator for entrapment protection functions shall be located where the transmission of the signals are not obstructed or impeded by building structures, natural landscaping or similar obstructions. A wireless contact sensor shall function under the intended end-use conditions.
 - f. One or more contact sensors shall be located on the inside and outside leading edge of a swing gate. Additionally, if the bottom edge of a swing gate is greater than 6 inches (152 mm) but less than 16 inches (406 mm) above the ground at any point in its arc of travel, one or more contact sensors shall be located on the bottom edge.
 - g. One or more contact sensors shall be located at the bottom edge of a vertical barrier (arm).
 - h. For UL compliance: Use only EMX: WEL-200K // Miller Edge: ME110 through ME117, ME120, ME123, MG020, MGR20, MGS20, RB-G-K10, MIM-62 // ASO: 25.30, 25.45, 95.20

IMPORTANT SAFETY INFORMATION

 **WARNING! Not Following these instructions may cause severe injury or death.**

MAINTENANCE

Remove the Power Harness from the Control Board. (refer to page 20)

- Clean and lubricate the turning pins and gate hinges using the recommended lubricant.
- Check that all mounting hardware of the gate operator is properly tighten.
- Ensure that the gate moves freely.
- Check for corroded parts and replace if necessary.
- Check the battery for the following:
 - Battery connections must be free of corrosion.
 - Battery voltage must be 26VDC (fully charged battery).

Reconnect the Power Harness for the Control Board. (refer to page 20)

- Check and confirm the proper operation of all safety devices (photoelectric eye, edge sensors or like).
- Check and confirm the operation of all installed accessories.
- Check and confirm the operation of all special features such as the Intelligent Obstruction Sensor and Hold Open Timer. (refer to pages 25-27)
- Check and confirm the operation of the manual release. (refer to page 11)
- Verify the functionality of the battery backup, or power failure option, by turning off the main power source (115VAC or 230VAC). **DO NOT FORGET TO TURN ON THE MAIN POWER SOURCE AFTER VERIFICATION.**

GENERAL SAFETY PRECAUTIONS

The following precautions are an integral and essential part of the product and must be supplied to the user. Read them carefully as they contain important indications for the safe installation, use and maintenance.

- These instruction must be kept and forwarded to all possible future users of the system.
- This product must be used only for that which it has been expressly designed.
- Any other use is to be considered improper and therefore dangerous.
- The manufacturer cannot be held responsible for possible damage caused by improper, erroneous or unreasonable use.
- Avoid operating in the proximity of the hinges or moving mechanical parts.
- Do not enter the path of the moving gate while in motion.
- Do not obstruct the motion of the gate as this may cause a situation of danger.
- Do not allow children to play or stay within the path of the moving gate.
- Keep remote control or any other control devices out of the reach of children, in order to avoid possible involuntary activation of the gate operator.
- In case of break down or malfunctioning of the product, disconnect from the main power source. Do not attempt to repair or intervene directly, contact only qualified personnel for repair.
- Failure to comply with the above may create a situation of danger.
- All cleaning, maintenance or repair work must be carried out by qualified personnel.
- In order to guarantee that the system works efficiently and correctly it is important to have the manufacturer's instructions on maintenance of the gate and operator carried out by qualified personnel.
- In particular, regular checks are recommended in order to verify that the safety devices are operating correctly.

All installation, maintenance and repair work must be documented and made available to the user.

IMPORTANT SAFETY INFORMATION

CAUTION: To Reduce the Risk of Fire or Injury to Persons:

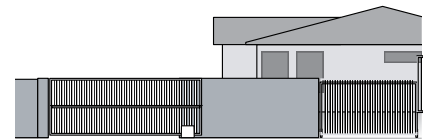
- a. Use only the following type and size battery(ies): Yuasa NP7-12 or VIKING DUBA12
- b. Do not dispose of the battery(ies) in fire. The cells may explode. Check with local codes for possible disposal instructions.
- c. Do not open or mutilate the battery(ies). Released electrolyte is corrosive and may cause damage to the eyes or skin. It may be toxic if swallowed.
- d. Exercise care in handling batteries in order not to short the battery with conducting materials such as rings, bracelets and keys.
- e. Change the battery(ies) provided with or identified for use with this product only in accordance with the instructions and limitations specified in this manual.
- f. Observe proper polarity orientation between the battery(ies) and charging circuit.
- g. Do not mix batteries of different sizes or from different manufactures in this product (applies to products employing more than one user replaceable secondary battery).
- h. A battery-operated product employing a secondary battery supply intended to be charged within the product shall contain specific instructions concerning the proper method of charging.

UL325 Gate Operator Classifications

GLOSSARY

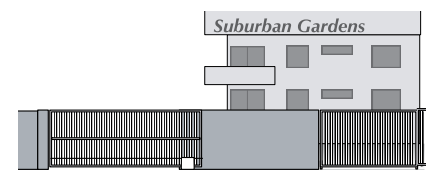
RESIDENTIAL VEHICULAR GATE OPERATOR

CLASS I - A vehicular gate operator (or system) intended for use in garages or parking areas associated with a residence of one-to four single families.



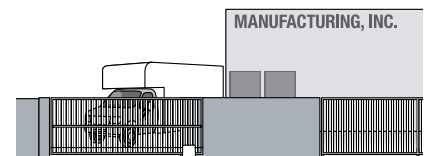
COMMERCIAL/GENERAL ACCESS VEHICULAR GATE OPERATOR

CLASS II - A vehicular gate operator (or system) intended for use in a commercial location or building such as a multi-family housing unit (five or more single family units), hotel, garages, retail store, or other building servicing the general public.



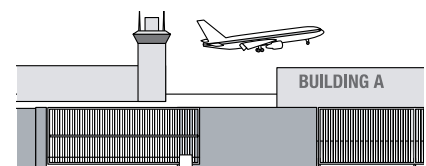
INDUSTRIAL/LIMITED ACCESS VEHICULAR GATE OPERATOR

CLASS III - A vehicular gate operator (or system) intended for use in an industrial location or building such as a factory or loading dock area or other locations not accessible by or intended to service the general public.



RESTRICTED ACCESS VEHICULAR GATE OPERATOR

CLASS IV - A vehicular gate operator (or system) intended for use in a guarded industrial location or building such as an airport security area or other restricted access locations not servicing the general public, in which unauthorized access is prevented via supervision by security personnel.



Install the gate operator only when:

The operator is appropriate for the construction of the gate and the Usage Class of the gate.

IMPORTANT SAFETY INFORMATION

⚠ WARNING! Not Following these instructions may cause severe injury or death.

Monitored Entrapment Protection Requirements

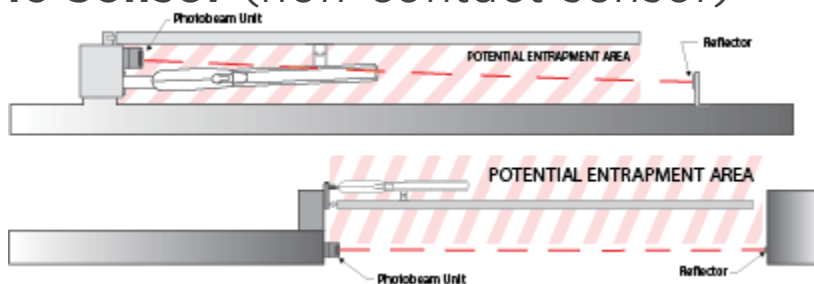
IMPORTANT: MONITORED PROTECTION MUST BE INSTALLED

- **REQUIRED BY UL 325, an approved MONITORED entrapment protection sensor is REQUIRED to be installed in all areas accessible to potential entrapment and pinch points.**
- For a horizontal swing gate operator, at least one Monitored External Entrapment Sensor is required in each direction of travel. Except, if there is no entrapment zone in one direction of travel, it is not required to have a Monitored Entrapment sensor for that direction of travel.
 - ⚠ If there is a possible entrapment zone in the open direction, an external sensor MUST be connected to the “UL” input or the installation will not comply with UL 325.
 - ⚠ An external sensor connected to the “ReOpen” input terminal will protect against entrapment ONLY in the closing direction.
- The installed sensor MUST be “**10K Resistor Based**”.
- You may connect up to FOUR monitored sensors, wired in parallel, to either the “UL” and/or “ReOpen” terminals, for a total of 8 monitored sensors.
- **Failure to install the required monitored entrapment protection sensor(s) may render the gate operator INOPERABLE. The gate can be moved manually. Refer to page 11.**
- Consult the installation manual of the sensor for detailed information about the usage, installation and maintenance.
- Use only UL Recognized Component Edge Sensors and Photoelectric Sensors. Refer to pg 7.

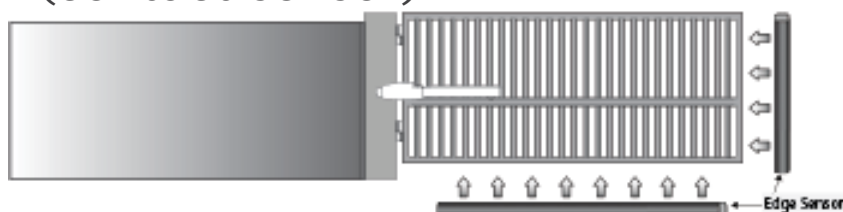
SWING GATE ENTRAPMENT ZONE – Locations between a moving gate or moving, exposed operator components and a counter opposing edge or surface where entrapment is possible up to 1.8 m (6 ft) above grade. Such locations occur if during any point in travel:

- a. The gap between the bottom of a moving gate and the ground is greater than 101.6 mm (4 in) and less than 406 mm (16 in); or
- b. The distance between the center line of the pivot and the end of the wall, pillar, or column to which it is mounted when in the open or closed position exceeds 101.6 mm (4 in). Any other gap between a moving gate and fixed counter opposing edges or surfaces or other fixed objects is less than 406 mm (16 in) (examples are walls, curbs, berms or other immovable objects).

Photoelectric Sensor (non-contact sensor)



Edge Sensor (contact sensor)



IMPORTANT SAFETY INFORMATION

⚠ WARNING! Not Following these instructions may cause severe injury or death.

⚠ Cable use in Class 2 circuit to an external device shall be type CL2, CL2P, CL2R, CL2X or other cable with equivalent or better electrical, mechanical, and flammability ratings.

Monitored Entrapment Protection Installation

⚠ IMPORTANT: A minimum of one Monitored External Entrapment Sensor is required to be connected to the UL terminal OR the ReOpen terminal. If there is a possible entrapment zone in the open direction, an external sensor MUST be wired to the “UL” input or the installation will not comply with UL 325.

“UL” Protects against entrapment in both the opening and closing directions. Input will reverse the gate momentarily in the opposite direction it was traveling.

- The “UL Sens” and “Stop” LEDs will both illuminate solid to indicate an input.

⚠ If more than one Monitored device is connected to this terminal, the “UL Sense” LED will be illuminated. This alone is inconsequential.

“ReOpen” Protects against entrapment in the closing direction ONLY. Input will reverse the gate all the way to the Open Limit.

- The “ReOpen Sens” and “Stop” LEDs will both illuminate solid to indicate an input.

⚠ If more than one Monitored device is connected to this terminal, the “ReOpen Sens” LED will be illuminated. This alone is inconsequential.

STEP 1

Remove the Power Harness from the Control Board.

STEP 2

Connect the monitored entrapment protection sensor(s) to the Viking control board as illustrated below.

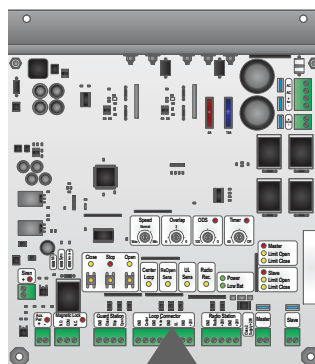
STEP 3

Learn the number of sensors connected:

- Press and hold the Stop Button.
- Connect the Power Harness to the Board.
- Release the Stop Button after 10 seconds when the “Center Loop” and “Radio Rec.” LEDs begin to flash.

10K (Sensor’s Monitored Terminals)

10K (Sensor’s Monitored Terminals)



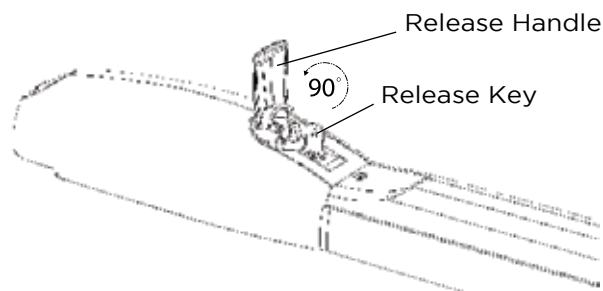
NOTE: The “Stop” LED will be flashing if there is a failure with at least one monitored entrapment sensor and the gate operator will be rendered inoperable.

Manual Release

When manual operation is required:

1. Lift the Release Handle.
2. Insert the Release Key and rotate Key to unlock the Handle .
3. Rotate Handle counter clockwise.

The gate can now be moved manually.



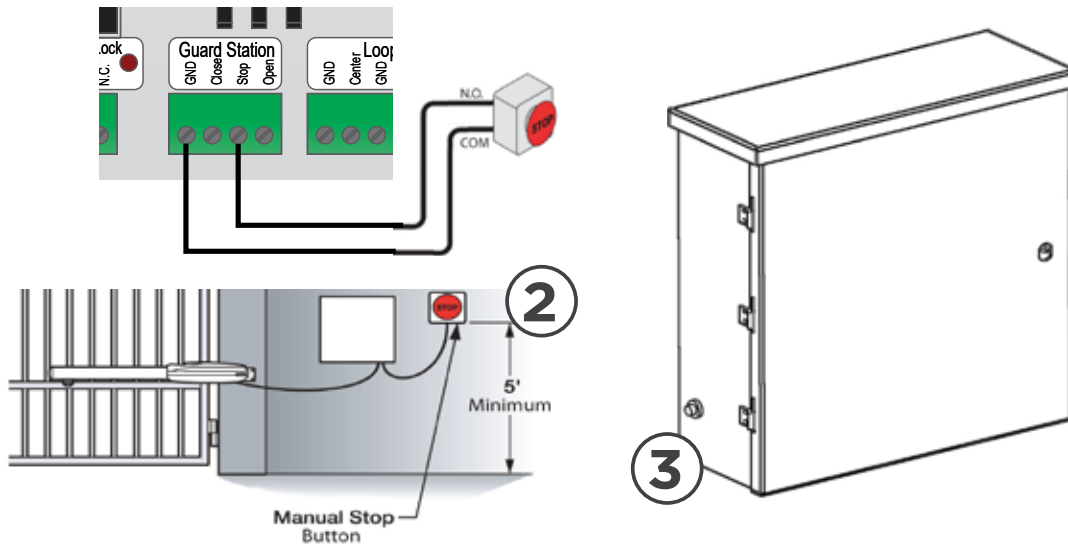
IMPORTANT SAFETY INFORMATION

⚠ WARNING! Not Following these instructions may cause severe injury or death.

Audible Alarm Reset Switch Installation

Manual Reset for the Audible Alarm

- UL325 standard requires an audible alarm to sound after two consecutive events detected by the inherent entrapment protection of the gate operator (obstruction sensor).
- The audible alarm will continue to sound for 5 minutes or until a stop command is actuated.
- The Stop command can be actuated in three different forms:
 1. Using the Built in Stop switch on the Control Board; or
 2. Using an External Stop button within the sight of the gate, away from moving parts of the gate and out of reach of children.
 - a. Controls intended for user activation must be located at least six feet (6') away from any moving part of the gate and where the user is prevented from reaching over, under, around, or through the gate to operate the controls. Outdoor or easily accessible controls shall have a security feature to prevent unauthorized use.
 - b. The Stop and/or Reset button must be located in the line-of-sight of the gate. Activation of the reset control shall not cause the operator to start.
 3. Using the Reset Button on the Electronic Control Unit that is externally accessible on the left side of the cabinet.



Warning Placard Installation

- All Warning Placards must be installed where visible in the area of the gate.
- A minimum of two placards shall be installed.
- A placard is to be installed in the area of each side of the gate and be visible.



IMPORTANT INSTALLATION INFORMATION

⚠ CAUTION: To Reduce the Risk of Fire or Injury to Persons:

⚠ WARNING: For use with gates at a maximum 850 lbs. in weight or 16 ft. in length.



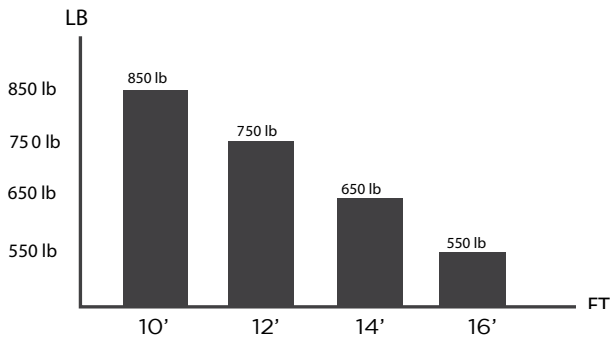
DO NOT allow pedestrian use of this gate



DO NOT install the gate operator to lift gates

Locate Control Buttons:

1. Within sight of the gate,
2. At a minimum height of 5 feet so small children are not able to reach it; and
3. At least 6 feet away from all moving parts of the gate.



Gate Weight/Length Relationship

Distance from Control Board	Cable Wire Gauge
30 Feet	14 AWG
50 Feet	12 AWG
100 Feet	10 AWG

Motor Cable Length/Gauge Relationship

⚠ IMPORTANT: Cable shall be shielded with drain wire. Connect drain wire to chassis ground of both the E-4 operator and the Control Board.

Specifications:

UL 325 Classification:

Power Requirements:

Alternative Power:

Operating Temperature:

Maximum Gate Weight:

Maximum Gate Length:

Class I *Refer to page 9

120VAC / 240VAC (2.0* Amp / 1.0* Amp) *Each Gate Operator
Single Phase (50Hz / 60Hz)

24V AC / DC (min. 20VA) or Solar

-20°F (-28°C) to 160°F (71°C)

850 lbs.

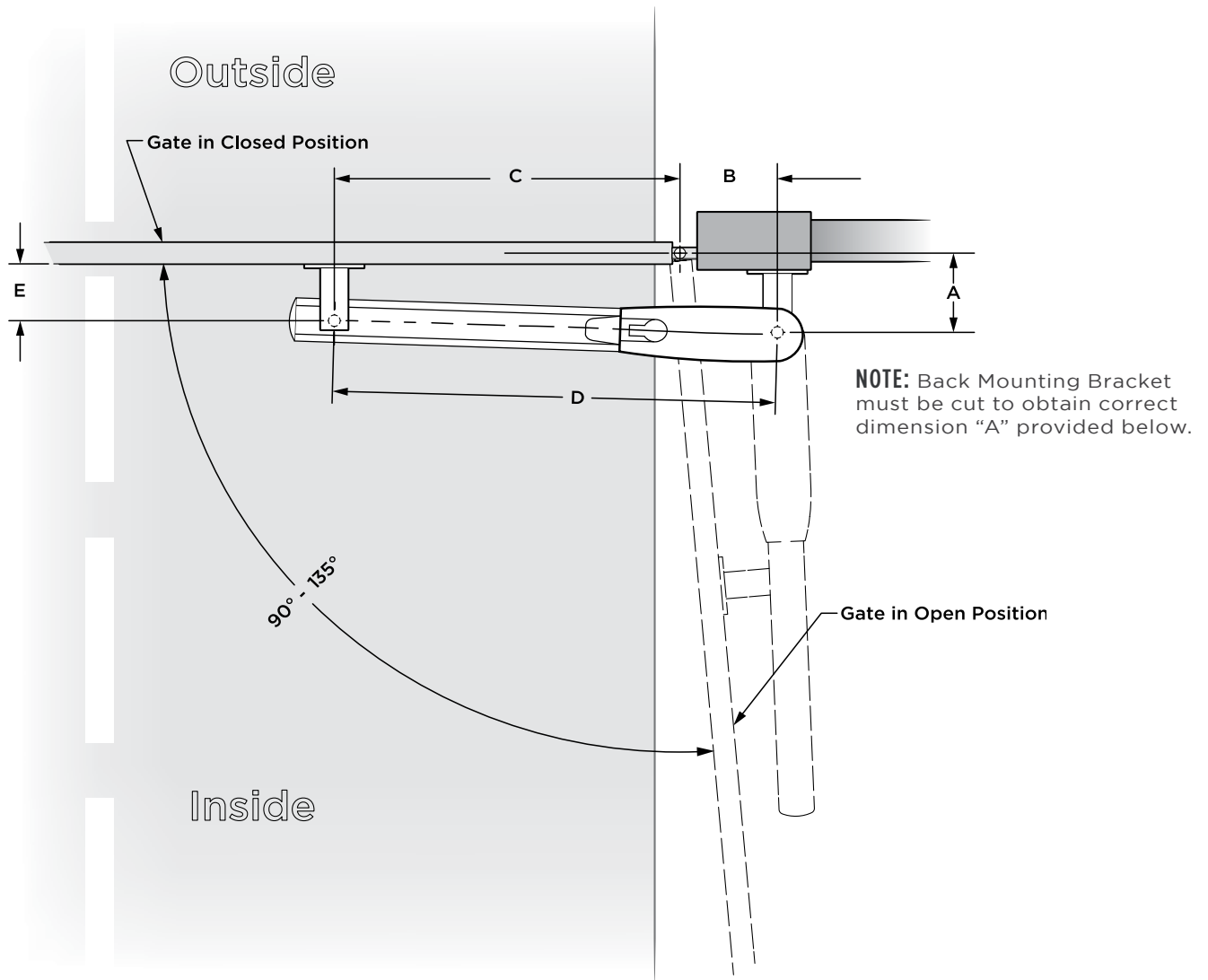
16 ft.

GATE OPERATOR INSTALLATION

Pull to Open Installation Option

This application is typically used to open the gate towards the inside of the property. The operator will “**PULL**” the gate to open.

1. The gate must be installed in a location so that enough clearance is provided between the gate and adjacent structures to reduce the risk of entrapment when opening and closing.
2. Swing gates are not to open into public access areas.



ALL DIMENSIONS ARE MEASURED IN INCHES

Range	A	B	C	D	E
90° - 120°	8.000	4.500	24.000	28.590	4.750
121° - 135°	4.750	7.750	24.000	31.770	4.750

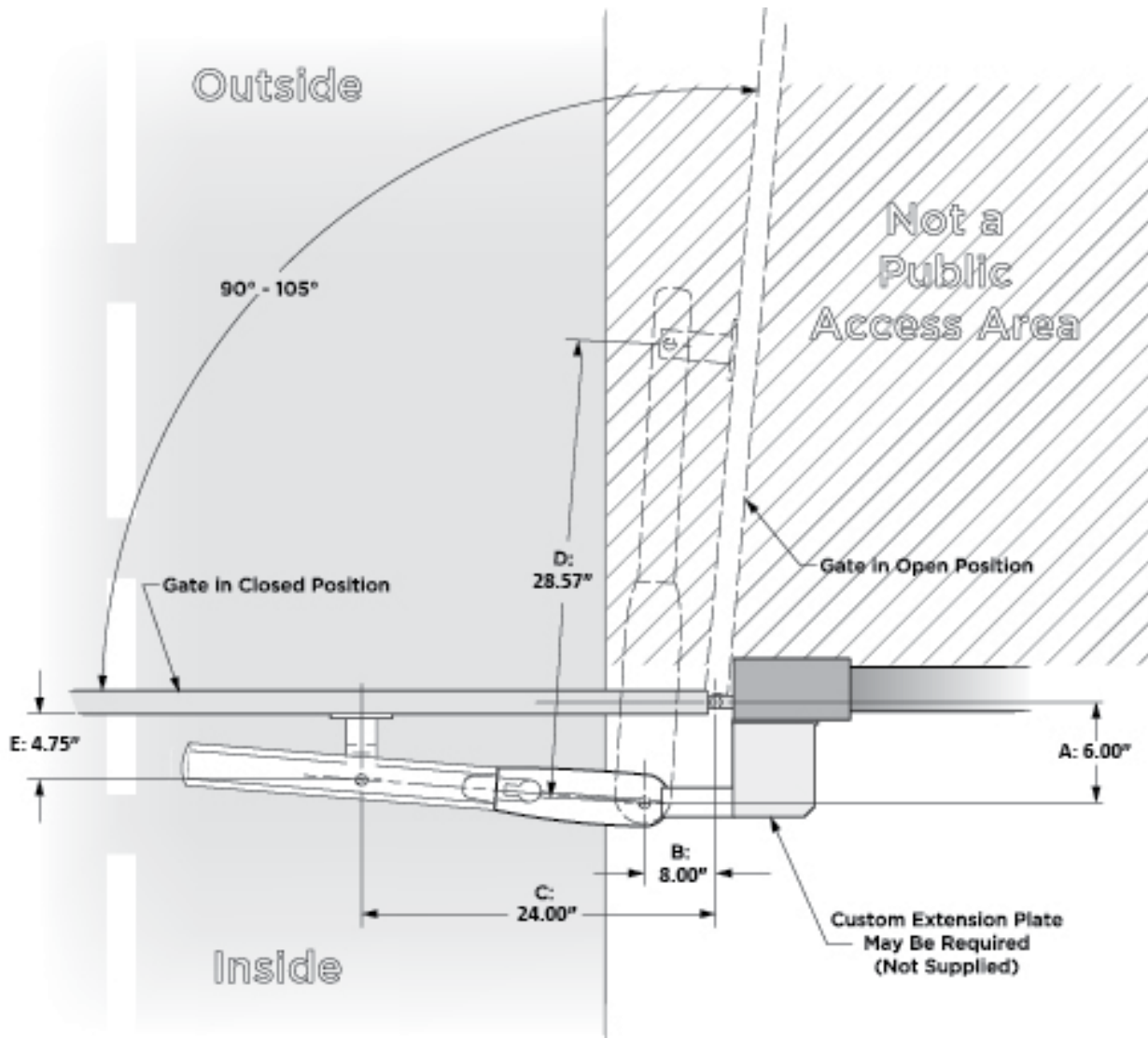
! Varying from the dimensions provided above may severely affect the speed and performance of the gate operator.

GATE OPERATOR INSTALLATION

Push to Open Installation Option

This application is typically used to open the gate towards the outside of the property. The operator will “**PUSH**” the gate open.

1. The gate must be installed in a location so that enough clearance is provided between the gate and adjacent structures to reduce the risk of entrapment when opening and closing.
2. Swing gates are not to open into public access areas.

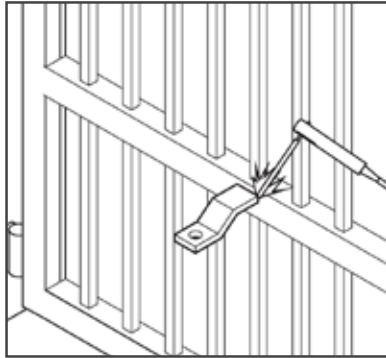


! Varying from the dimensions provided above may severely affect the speed and performance of the gate operator.

GATE OPERATOR INSTALLATION

⚠ Caution: If the Front Mounting Bracket is not attached to a frame member that runs the full length of the gate, the gate operator may damage the gate. DO NOT attach the bracket or backing plate to just a few pickets.

Mounting the Gate Operator



STEP 1

Front Mounting Bracket:

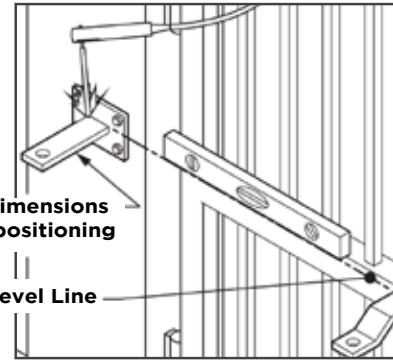
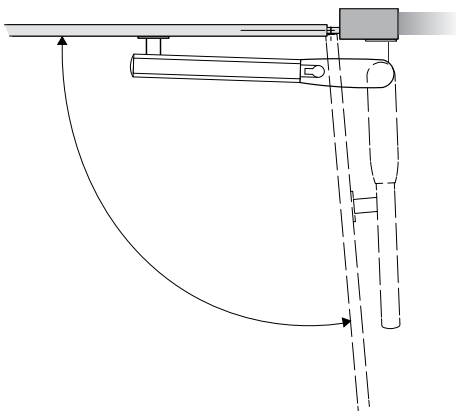
- Position the bracket according to the dimensions provided on pages 14 or 15.
- Ensure the bracket is level and tack weld in place.

! TIP: Alternatively, if you choose to bolt this bracket to the gate, a backing plate has been provided with four bolt holes.

STEP 3

Mount the Gate Operator:

- Install the operator onto the mounting brackets.
- Manually Release the E-4 Operator. Refer to page 11.
- Manually move the gate to ensure the gate and operator moves freely.



STEP 2

Back Mounting Bracket:

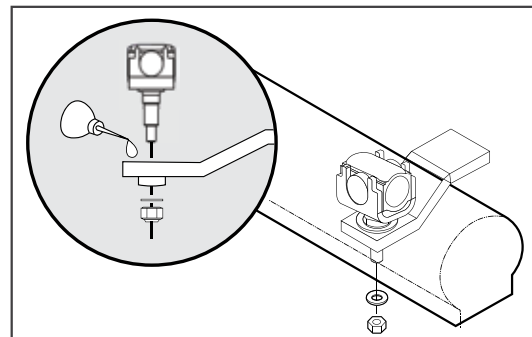
- Cut and position the bracket according to pages 14 or 15.
- Ensure the bracket is level and tack weld in place.

! TIP: Alternatively, if you choose to bolt this bracket to the gate, a backing plate has been provided with four bolt holes.

STEP 4

Complete the Installation:

- Dismount the operator.
- Complete the welding process.
- Lubricate the front bracket pivot point.
- Reinstall the gate operator and verify once again that the gate moves freely.
- Rotate the Manual Release Handle clockwise to the engage position.

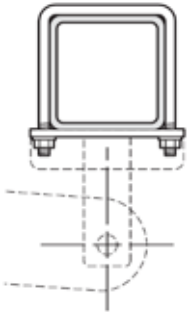


GATE OPERATOR INSTALLATION

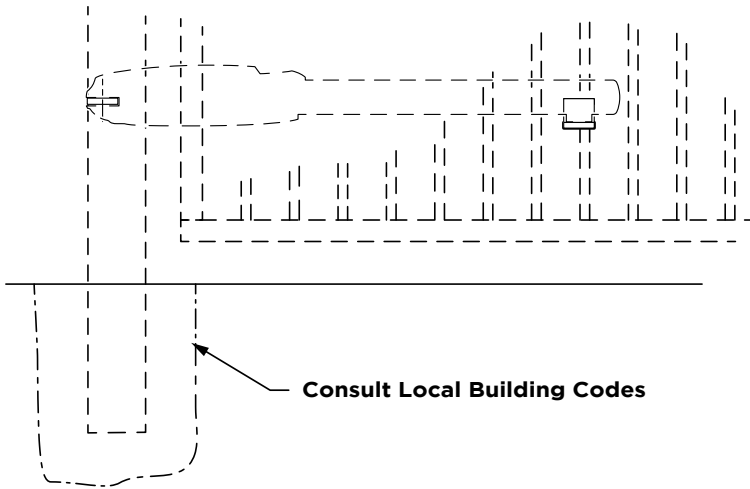
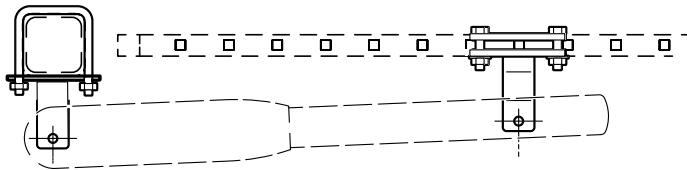
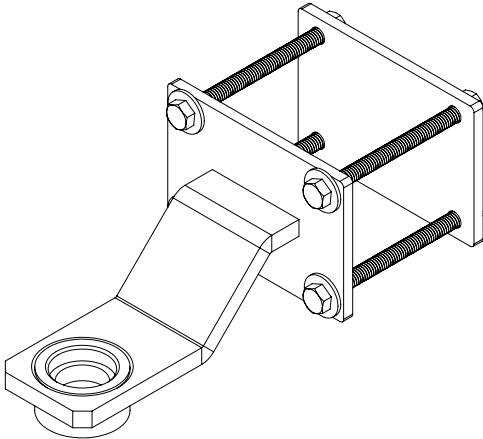
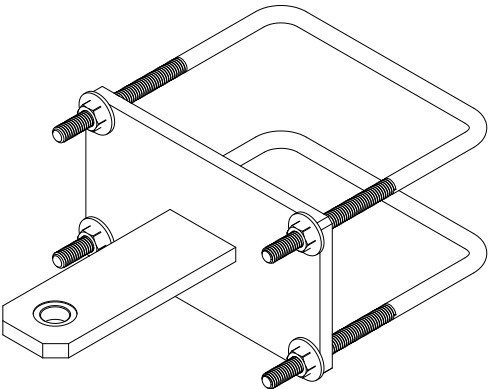
Post Mounting Option

A Post Mount Kit is available for the E-4 Operator as an option to welding the operator Mounting Brackets to the gate and column. **Part # VA-E4PSKT**

- 1. Mounting hardware provided for 6" square posts.
- 2. Mounting Brackets are powder coated 1/4" steel.



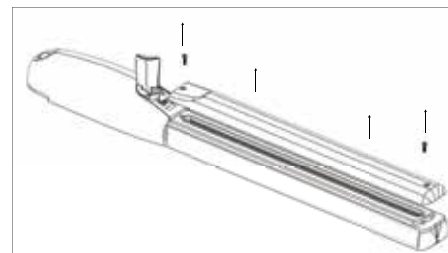
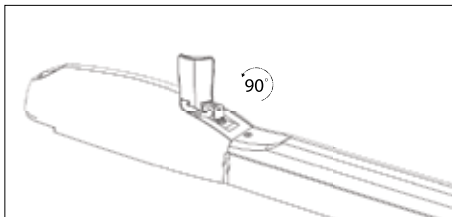
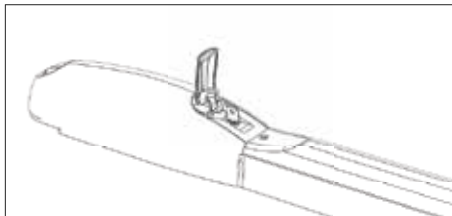
**6" Square Pipe
Open Left/Right**



GATE OPERATOR INSTALLATION

Limit Position Setup

! IMPORTANT: The gate operator uses positive stops to set the limits.



STEP 1

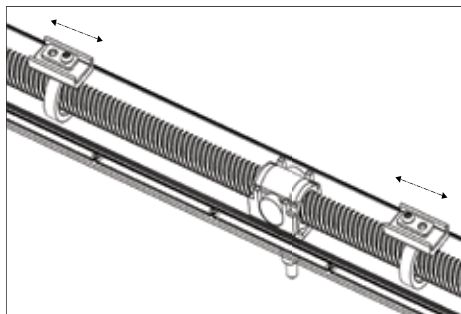
Manually Release the E-4 Operator:

- Lift the Release Handle.
- Insert the Release Key.
- Rotate Release Key.
- Rotate Handle.

STEP 2

Remove the Lead Screw Cover:

- Remove the cover mounting screw.
- Remove the Lead Screw Cover.



STEP 3

Set the Limit Positions:

- Manually position the gate to the desired Close Limit Position.
- Loosen the setscrews for the Close Positive Stop and slide the Stop up against the Lead Screw Carrier.
- Re-secure the Close Positive Stop when the proper position has been determined. Ensure it is tightly secured.
- Repeat the above steps for the Open Limit Position.



STEP 4

Verify the set Limit Positions:

- Re-engage the manual release.
- Run the operator two full cycles to verify that the limits are set at the desired positions.

! TECHNICAL TIP: The Limit LEDs will illuminate solid when the limit position is set and the operator is at the corresponding limit.

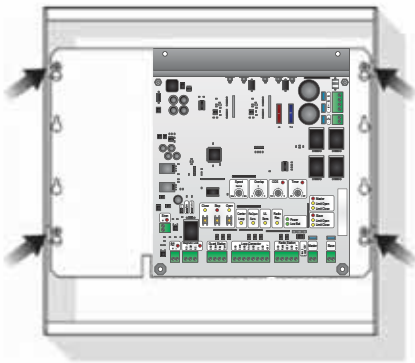
ECU BOX INSTALLATION

⚠ WARNING: If the control box is not mounted properly it may fall, causing damage and/or injury. The Electronic Control Unit (ECU) weight is approximately 40 lbs. Be sure that the substrate being mounted to and the fasteners being used are appropriate to support the weight of the control box.

Mounting the ECU Box

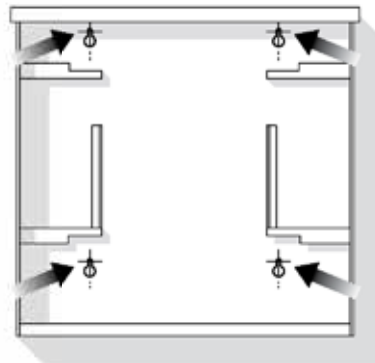
STEP 1

Disconnect all Wire Harnesses from the Control Board and remove the Control Board Mounting Plate. The plate is held in the box by four screws.



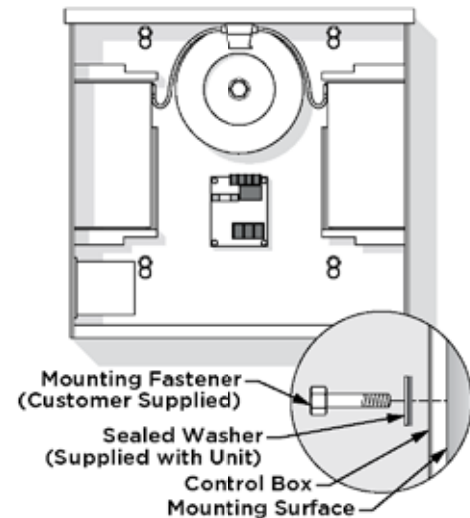
STEP 2

Position the ECU Box in the desired place and mark the mounting holes. Prepare the holes to receive the anchors/fasteners. NOTE: Anchors are Not Supplied.



STEP 3

Position the ECU Box and secure it to the mounting surface using the Sealed Washers provided (rubber side of the washers against the inside of the control box).



ELECTRICAL INSTALLATION

⚠ Caution: Always turn off power breakers when working with high voltage. DO NOT connect the “Power Harness” to the Control Board until the electrical installation is complete and ready for verification. To reduce the risk of electric shock, this equipment (external plug-in transformer) has a grounding type Plug, that has a third (grounding) pin. This plug will only fit into a grounding type outlet. If the plug does not fit into the outlet, contact a qualified electrician to install the proper outlet. Do not change the plug in any way.

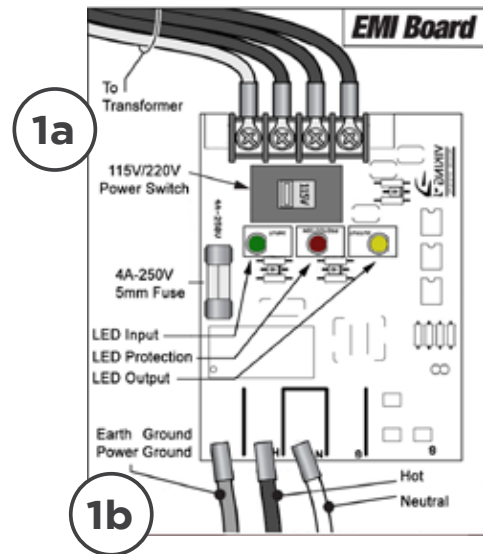
High Voltage Supply Option

STEP 1

! WARNING: SINGLE PHASE AC ONLY

At the “EMI Board”:

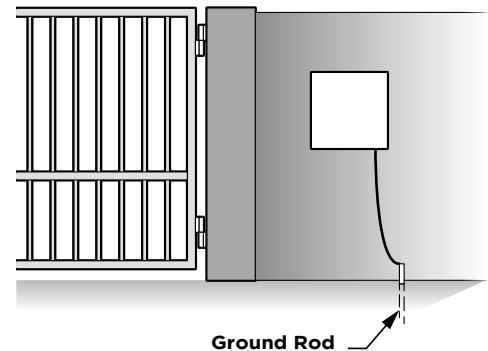
- Set the “Voltage Selector” according to the supply voltage (115V or 230V).
- Connect the incoming power wires to the terminals as shown in the illustration.
- Ground the ECU cabinet according to local code or guidelines.
- Turn on the main facility breaker and verify that all three (3) Status LEDs are illuminated on the EMI Board.



Tips for proper ground installation:

To minimize the effects caused by lightning, follow these guidelines:

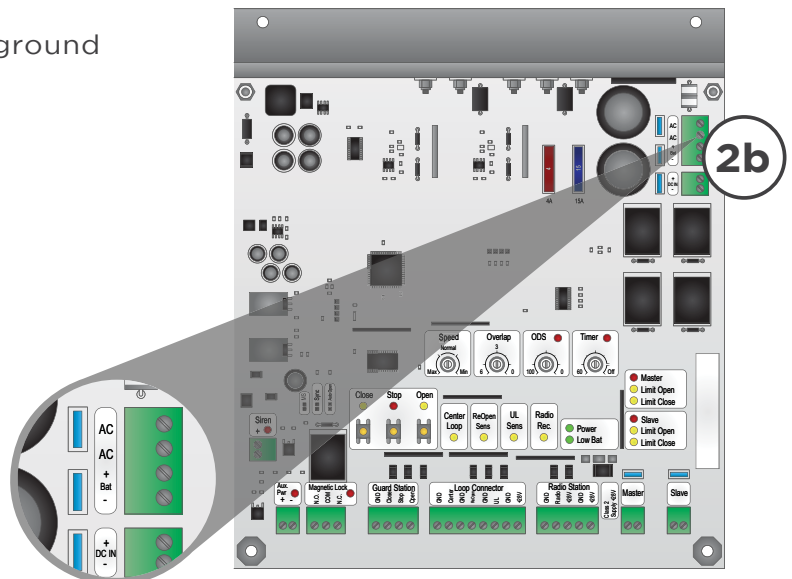
- Use a ground rod to provide a ground reference.
- Consult your city code and be aware of underground services in the site of the gate operator to prevent inconveniences.
- Always use a single bonding point for grounding.
- All ground wires must be as short and as thick as possible.
- Prevent unnecessary turns or loops in all ground wires.



STEP 2

At the Control Board:

- Reinstall the Control Board Mounting Plate with the Control Board.
- Connect the outbound wires from the Toroidal Transformer to the Green and White “AC” wires of the “Power Harness”. Polarity is not important. Verify the “POWER” LED is illuminated solid.
- Reconnect all other harnesses.



ELECTRICAL INSTALLATION

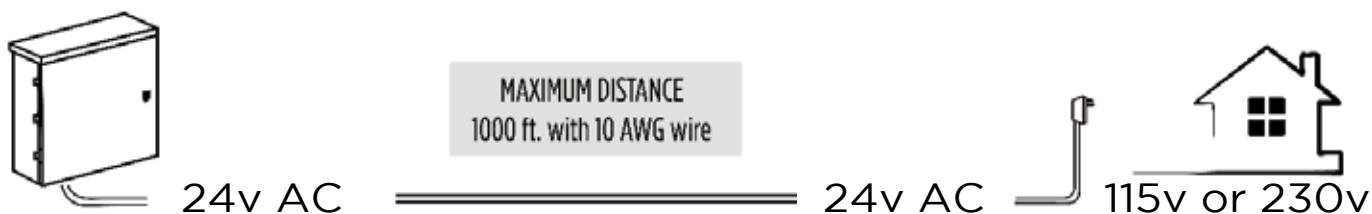
Low Voltage Supply Option

As an alternative, the Control Board can be powered directly with 24VAC or 24VDC. The ECU may be equipped with a 24VAC plug-in transformer as the power supply.

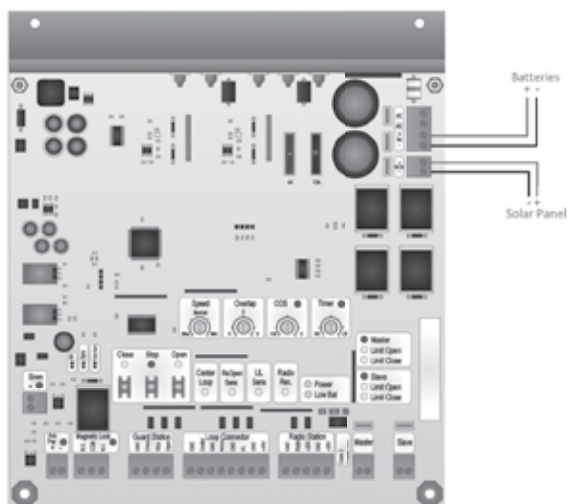
⚠ Caution: The DC Power Supply Input at the Control board is Polarity Sensitive. If supplying 24VDC directly to the Control Board, ensure correct DC polarity before you apply this power supply to the Control Board.

⚠ Caution: Always turn off power breakers when working with high voltage. DO NOT connect the “Power Harness” to the Control Board until the electrical installation is complete and ready for verification. To reduce the risk of electric shock, this equipment (external plug-in transformer) has a grounding type Plug, that has a third (grounding) pin. This plug will only fit into a grounding type outlet. If the plug does not fit into the outlet, contact a qualified electrician to install the proper outlet. Do not change the plug in any way.

Plug the Plug-in Transformer into the nearest 115V receptacle and connect the outbound wires from the Plug-in Transformer to the Green and White “AC” wires of the “Power Harness”. Polarity is not important. Verify the “POWER” LED is illuminated solid.. Follow local codes or guidelines.



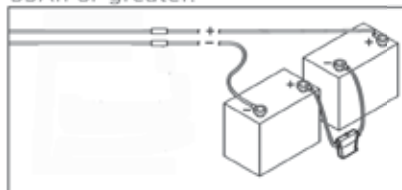
Solar Supply Option



Batteries & Fuse

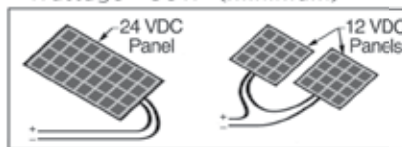
Voltage 24V
Amp Hour 35Ah (minimum)
Fuse 10A (minimum)

Replace the operators batteries with 35Ah or greater.



Panels

• Voltage 24V
• Wattage 80W (minimum)



! IMPORTANT: The number of cycles achieved daily is dependent on many factors, including local solar radiation data and power consumption of the motor and accessories. It is very important that you consider this when using solar power.

ELECTRICAL INSTALLATION

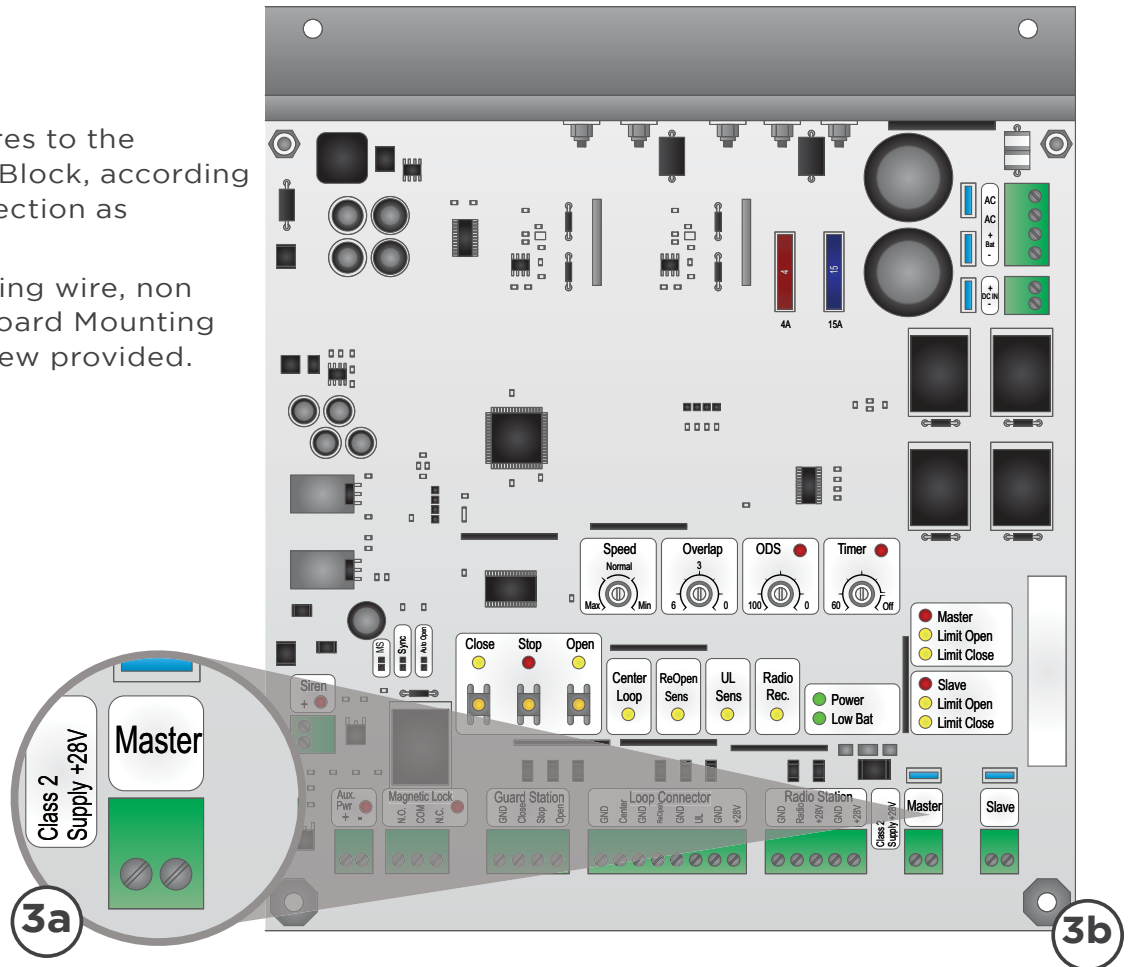
Motor Cable - Master (Single)

NOTE: The position of the motor wires will dictate in which direction the motor will travel when given an open or close command.

STEP 3

Master Motor:

- Connect motor wires to the "Master" Terminal Block, according to the opening direction as described below.
- Attach the grounding wire, non insulated, to the Board Mounting Plate using the screw provided.



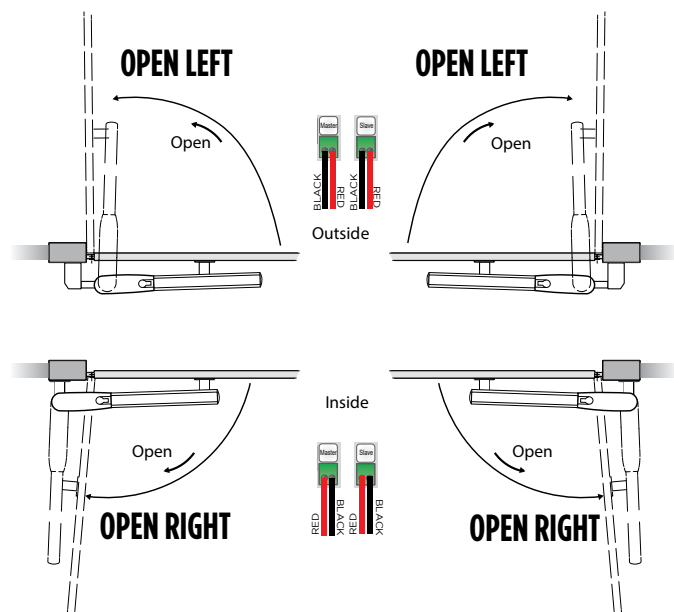
Motor Wires Polarity

Master Pull or Push to Open:

Connect the motor wires to the "Master" Terminal Block according to the opening direction.

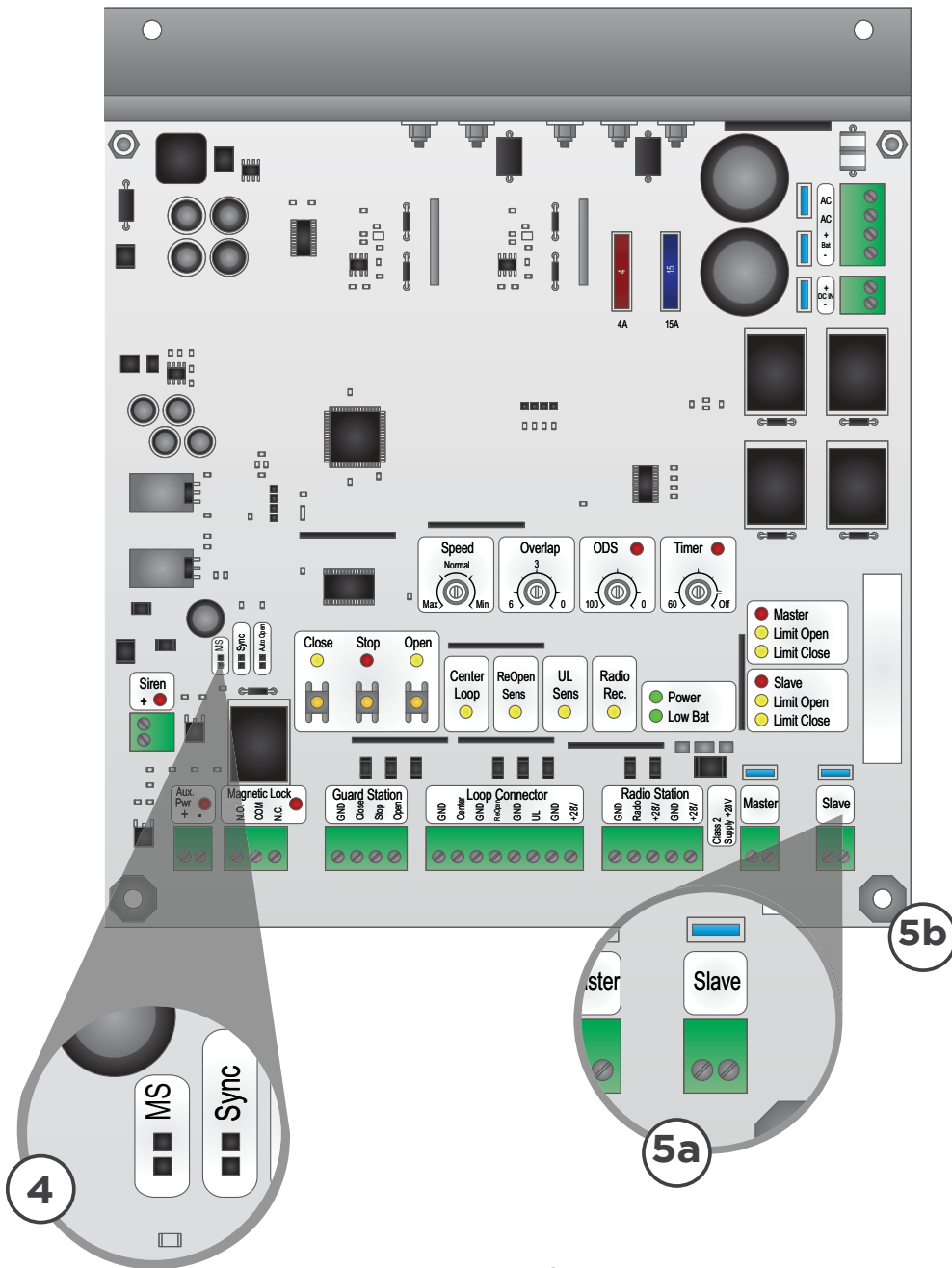
PUSH OPEN
BLACK RED

PULL OPEN
RED BLACK



ELECTRICAL INSTALLATION

Motor Cable - Master (Dual)



STEP 4

Master/Slave Configuration:

- Install a jumper onto the “MS” Pin Header.

STEP 5

Slave Motor:

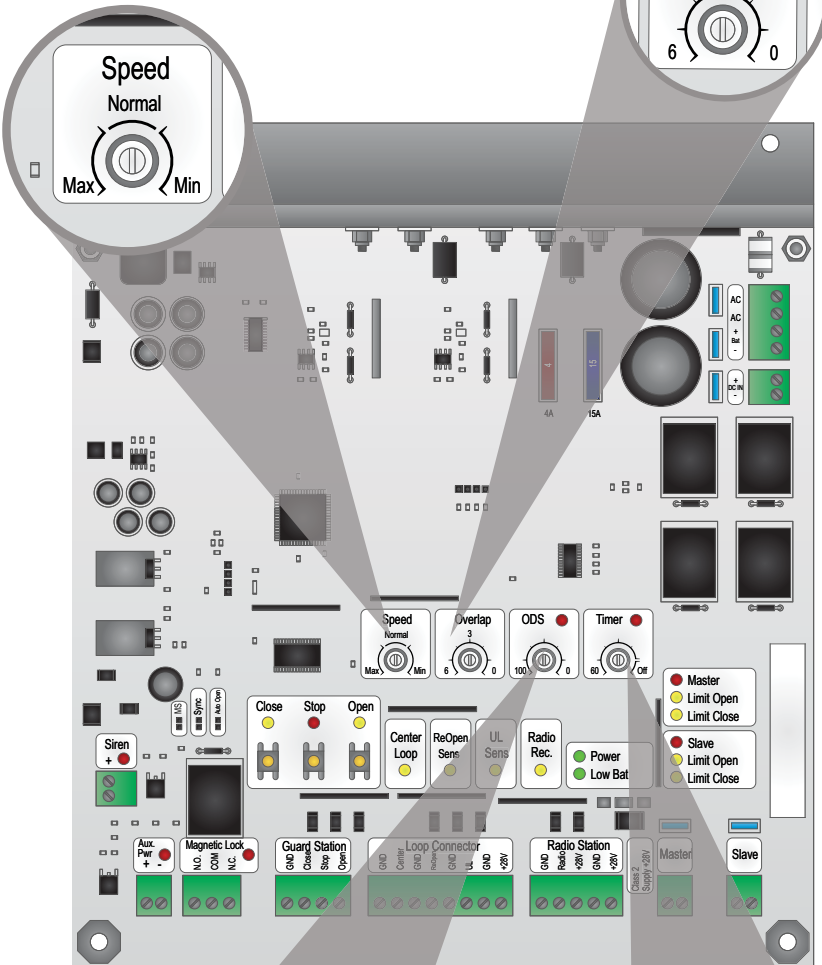
- Connect motor wires to the “Slave” Terminal Block, according to the opening direction as described on Page 22.
- Attach the grounding wire, non insulated, to the Board Mounting Plate using the screw provided.

CONTROL BOARD SETUP

Initial Settings

“Speed” Motor Speed

Increases or decreases the speed of gate travel.



“Overlap” Overlap Delay

Delays the gate from opening for the selected amount of time from 1-6 seconds.

! For Master/Slave or dual applications, the Master will delay to open and the slave will delay to close.

“ODS” Obstruction Detection Sensor

Sets the amount of force required to trip the inherent obstruction sensor.

See page 26 for more details about this feature.

“Timer” Hold Open Timer

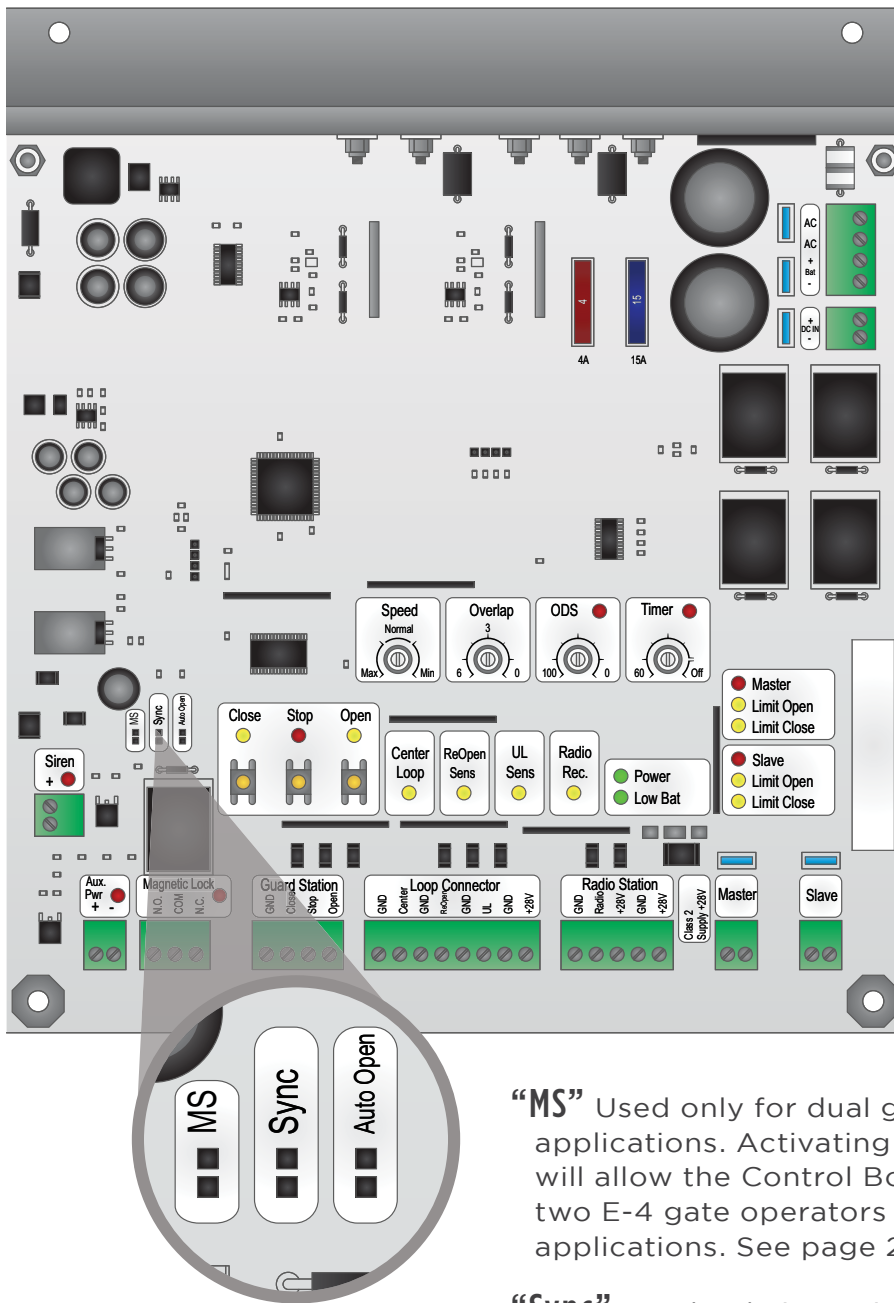
Automatically closes the gate after the selected amount of time from 1-60 seconds.

Turning the dial between “0” and “OFF” will disable this feature, requiring a close command to close the gate.

CONTROL BOARD SETUP

Initial Settings

NOTE: Installing a shunt, or jumper, on the pins will activate these feature.



“MS” Used only for dual gate applications. Activating this feature will allow the Control Board to operate two E-4 gate operators for dual gate applications. See page 23.

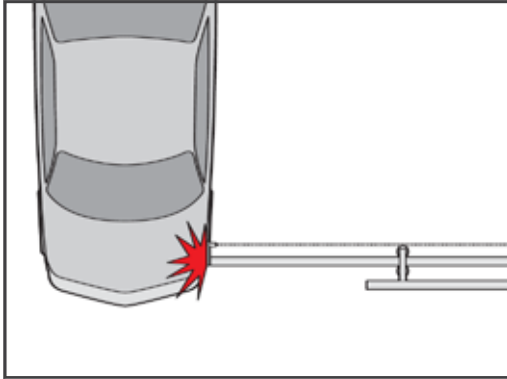
“Sync” Used only in conjunction with a barrier gate operator. Activating this feature allows for synchronized operation with a barrier gate operator. See page 32.

“Auto Open” - Power Failure Option
Opens the gate automatically during power failure. Resumes normal operation when power is restored.

CONTROL BOARD SETUP

Obstruction Detection Sensor (ODS)

! IMPORTANT: The appropriate “ODS” setting is dependant upon the gate installation and construction. Set this feature accordingly. Additional Safety equipment should be used to reduce possible risk of injury or vehicle damage.



“ODS” Obstruction Detection Sensor

The Obstruction Sensor detects obstructions in the path of the traveling gate. The dial sets the amount of force required to activate the operators inherent obstruction detection.

Setting the dial to “0” will require the least amount of force to activate;

Setting the dial to “100” will require the maximum amount of force to activate.

UL325 standard requires an audio alarm to go off after two consecutive entrapment events sensed by the Inherent Entrapment Protection of the Gate Operator.

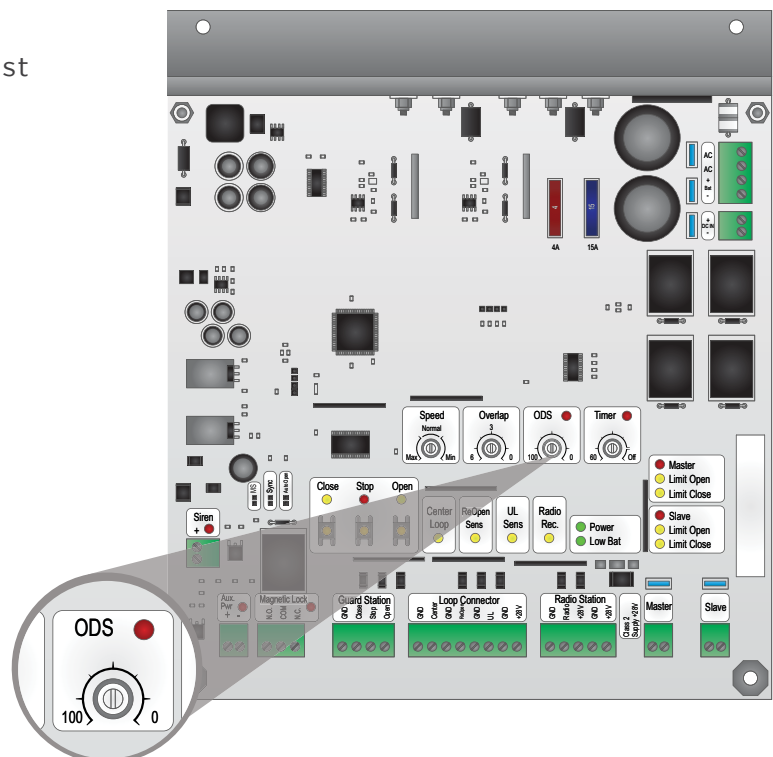
The audio alarm will sound for a period of 5 minutes or until a Stop command or the “Alarm Reset” switch has been actuated. (refer to page 12)

When the Obstruction Sensor detects an obstruction it will:

1. Stop the gate’s movement and reverse it momentarily.
2. Bring the gate to a resting position.
3. Disable the Hold Open Timer feature until the Gate Operator receives a new command.

If second obstruction is detected before the gate reaches either limit it will:

1. Stop the gate’s movement.
2. Disable the Gate Operator.
3. Sound the UL Alarm
4. A STOP command must be provided to disable the alarm and continue operation.



! TECHNICAL TIP: The “ODS” LED will indicate the following when it has been triggered.

Solid: Obstruction

Detected a sudden or abrupt increase in gate resistance.

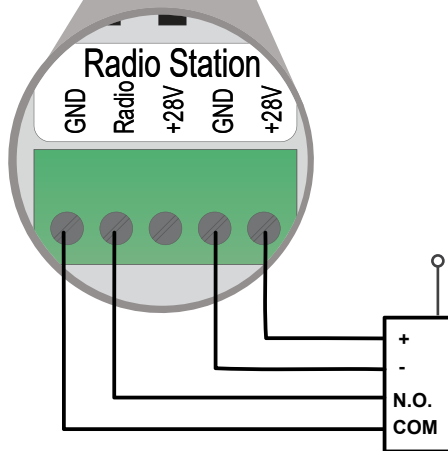
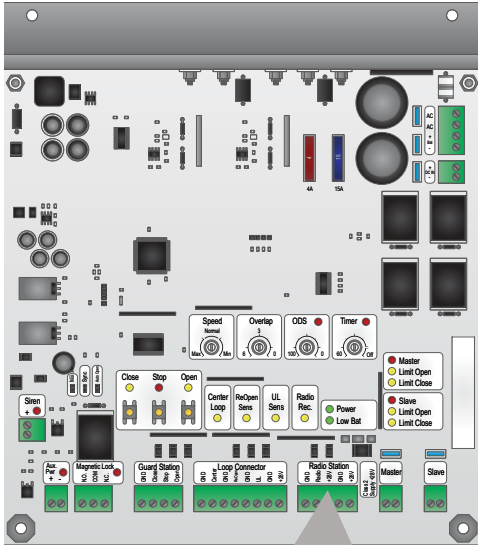
Flashing: Overload.

Detected a more subtle, but sustained increase in gate resistance.

ACCESSORY CONNECTIONS

⚠ Cable use in Class 2 circuit to an external device shall be type CL2, CL2P, CL2R, CL2X or other cable with equivalent or better electrical, mechanical, and flammability ratings.

Radio Receiver



Open-Stop-Close

1. By having the radio receiver connected as illustrated, every command of the radio transmitter will control the gate as follows:

Every command of the radio transmitter will control the gate as follows:

- First command opens the gate,
- Second command stops the gate and
- Third command closes the gate
- Any subsequent commands will continue in the same order to control the gate.

For maximum reception range: Locate the radio antenna to the top of the gate column.

! TECHNICAL TIP: For more information regarding accessory connections and terminal functions, refer to “Appendix (A)” on pages 37-38.

See “Appendix (B)” on page 39 for connecting common radio receiver models.

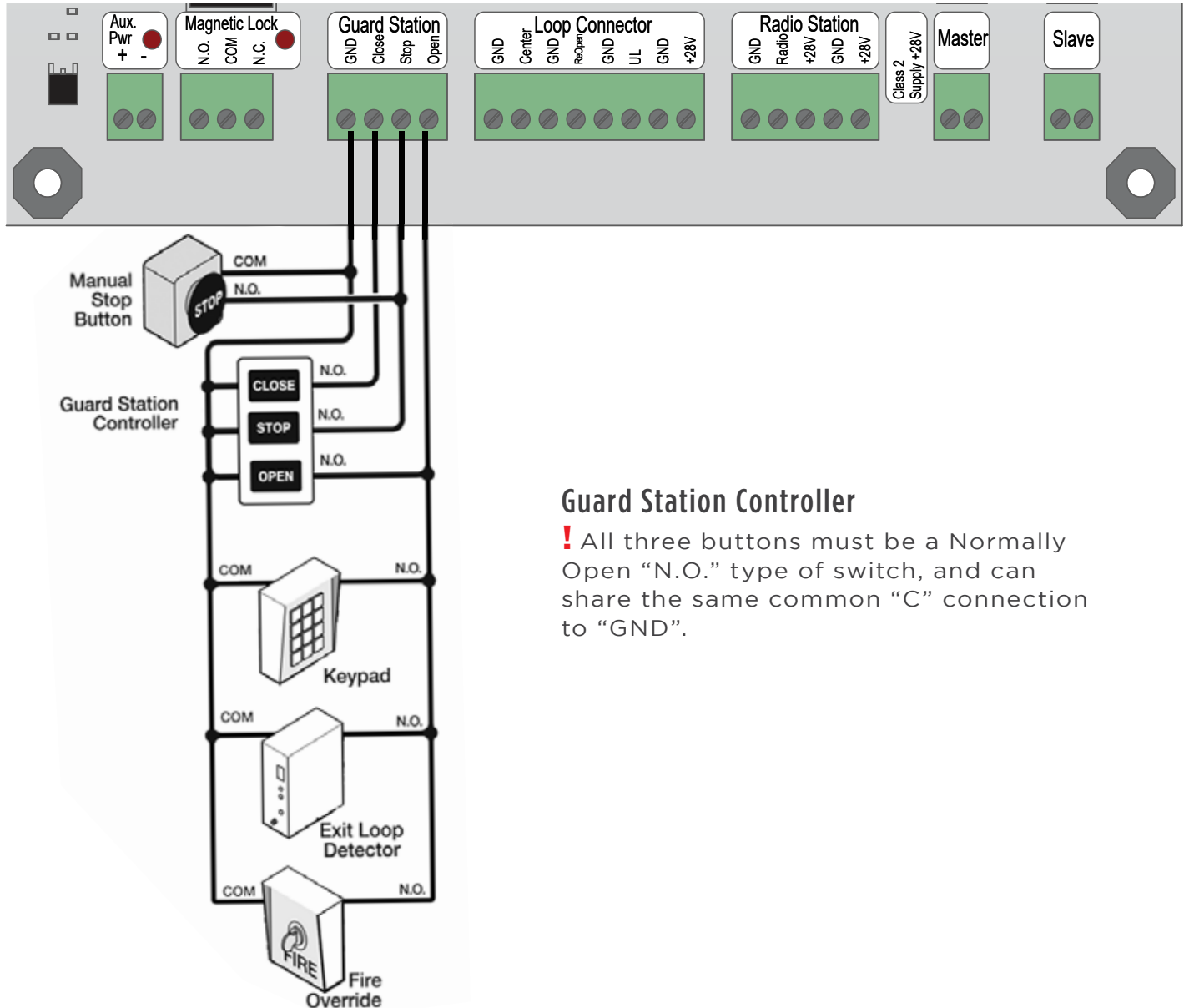


ACCESSORY CONNECTIONS

⚠ Cable use in Class 2 circuit to an external device shall be type CL2, CL2P, CL2R, CL2X or other cable with equivalent or better electrical, mechanical, and flammability ratings.

Guard Station

! TECHNICAL TIP: For more information regarding accessory connections and terminal functions, refer to “Appendix (A)” on pages 37-38.



Guard Station Controller

! All three buttons must be a Normally Open “N.O.” type of switch, and can share the same common “C” connection to “GND”.

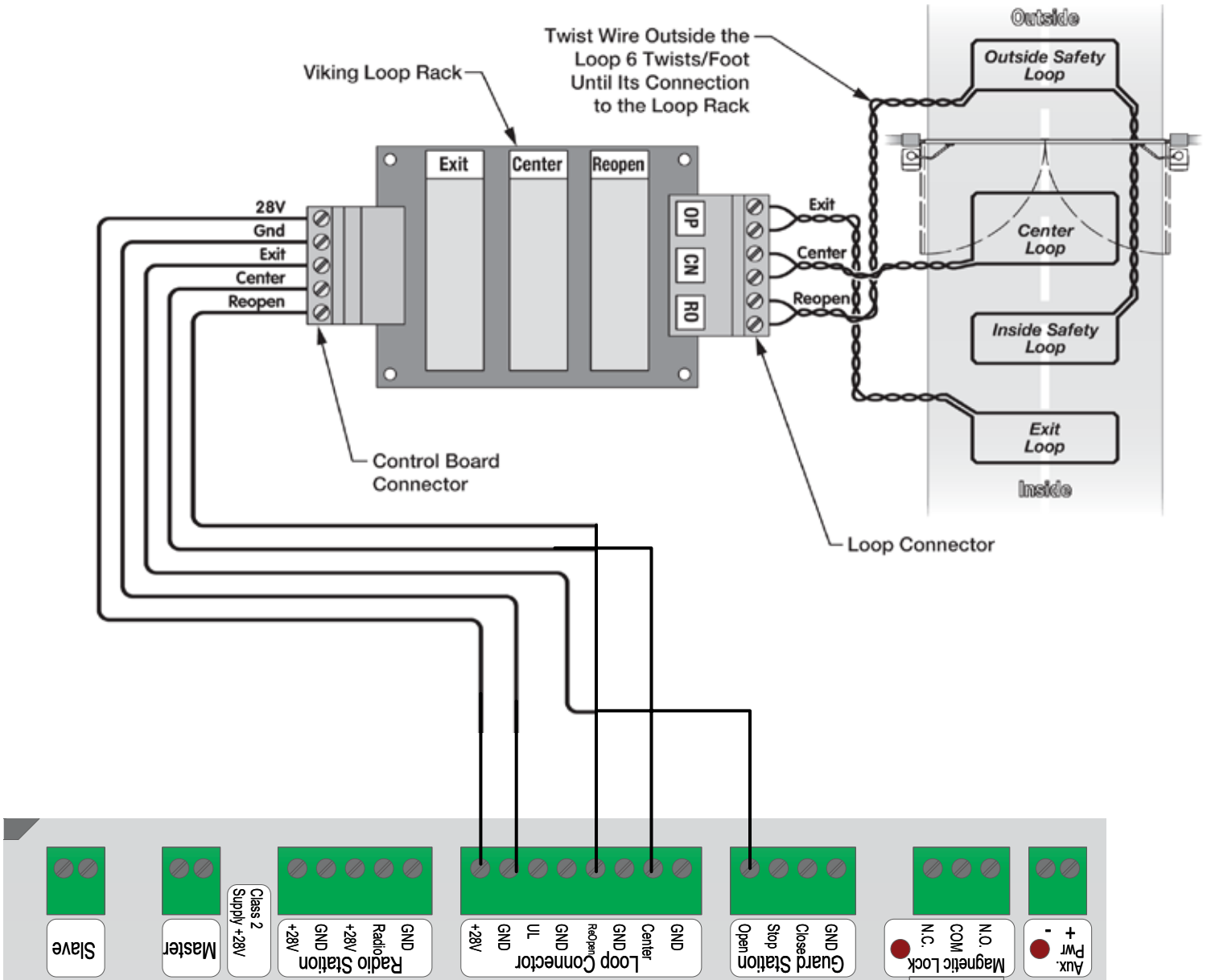
ACCESSORY CONNECTIONS

Viking Loop Rack

! TECHNICAL TIP: This operator may be equipped with a pre-wired **Loop Rack** that plug-in type loop detectors can be connected to. This provides a convenient alternative to the box type loop detectors that would need to be wired to the control board. Viking does not provide either type of loop detectors.

Loop Rack: Part # VA-LR

Loop Rack Wiring Harness: Part # VA-LRH



ACCESSORY CONNECTIONS

Guidelines for Loop Installation

1. Prevent sharp corners in the geometry of the loop sensor.
2. Install the appropriate number of turns for your loop geometry based on the loop perimeter. Use Table C (below) as a guide.
3. Use XLP (cross-linked-polyethylene) type of wire. This wire reduces the effects of moisture and other environmental events in altering the functionality of the vehicular loop detector.
4. Twist the lead wire at least 6 turns per foot.
5. Use BACKER-ROD to minimize damage to the loop detector wire prior to using the sealant.
6. Place the loop detector wire and adjust the sensitivity of the vehicular loop detector unit in a way to minimize the effects of the gate over the loop detector wire.

! IMPORTANT! Some of the following parameters may affect the proper functionality of the vehicular loop detector.

Consult the manufacturer of the vehicular loop detector and/or loop wire.

- Gate size
- Number of turns in the loop sensor wire
- Distance of the loop sensor wire to the gate at either at the open or close position

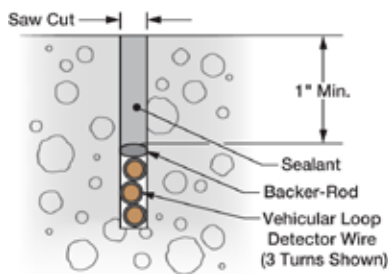
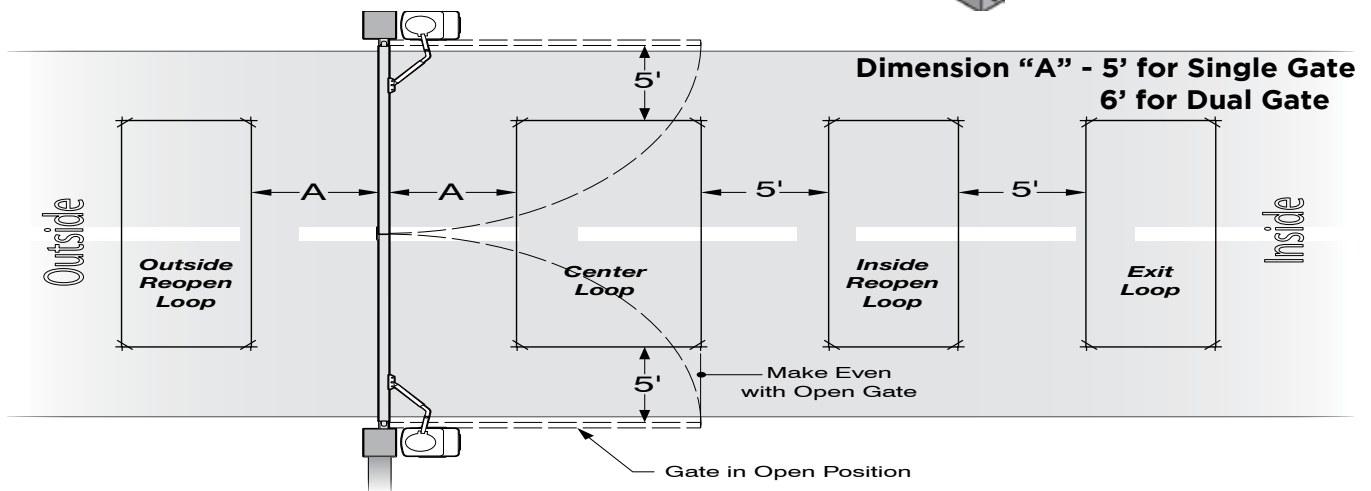
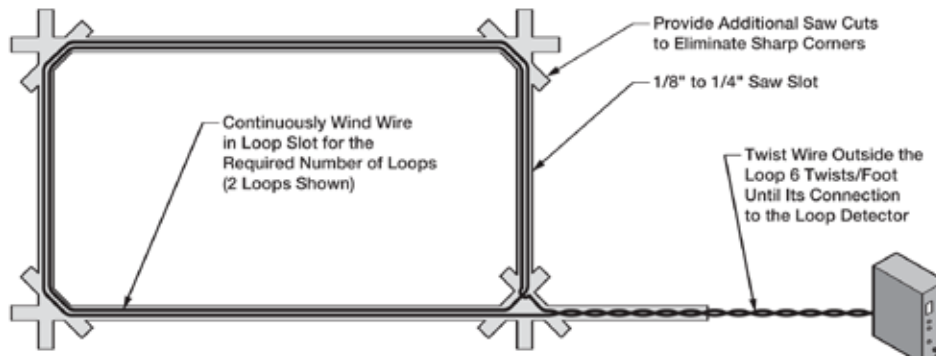


Table C - Recommended Number of Turns

Perimeter (ft.)	Number of Turns
10	5
20	4
30-40	3
50-100	2

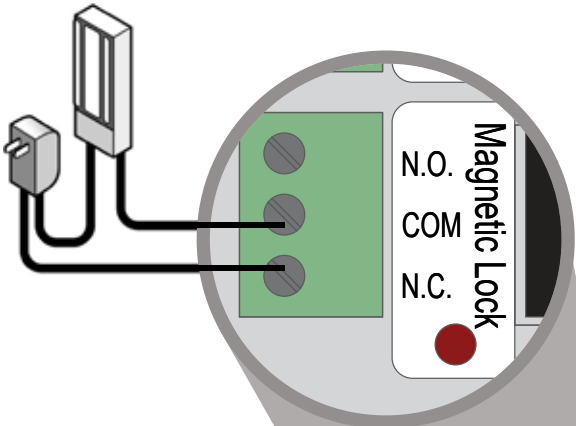


ACCESSORY CONNECTIONS

Magnetic Lock, Lock Solenoid

NOTE: Viking Access Systems does not provide external gate lock devices. These items can be purchased from your dealer or distributor.

Magnetic Lock



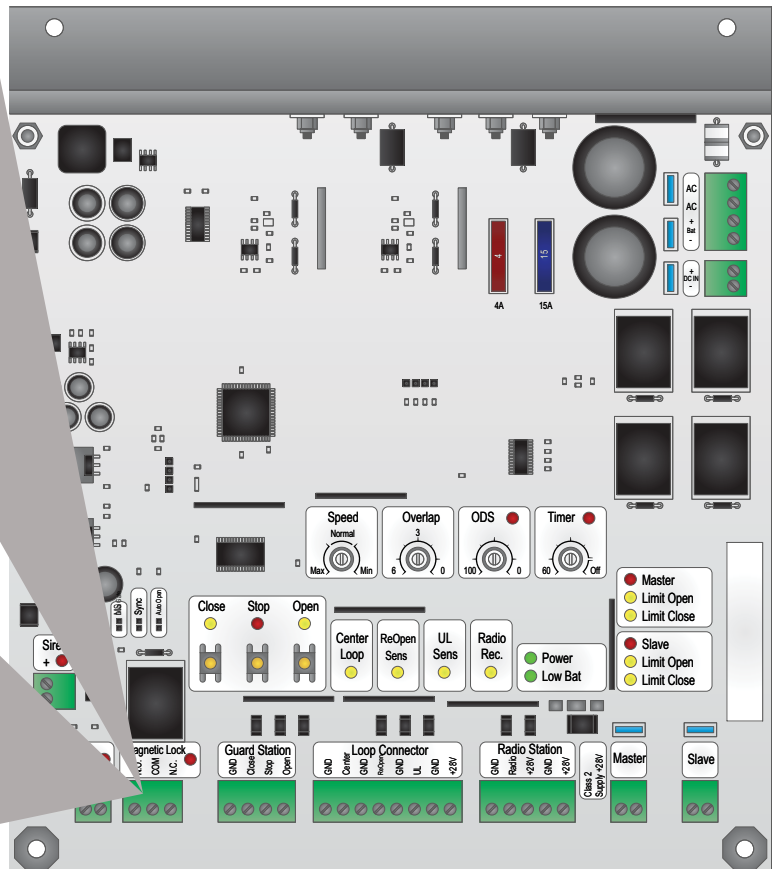
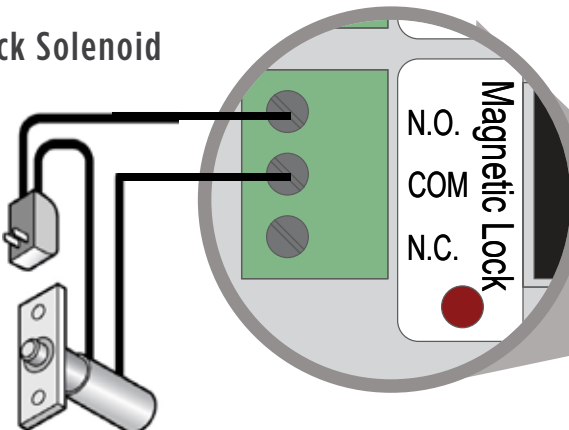
Power for the Locks:

Do not use the 24VDC power supplied by the control board. An external power supply, or plug-in transformer, must be used for the magnetic lock or lock solenoid. Plug the transformer into the "120VAC" receptacle provided at the operators Power Box. This will prevent rapid drainage of the battery in the event of power failure.

The control boards "Magnetic Lock" relay is rated for 10A-250VAC.

! TECHNICAL TIP: The Magnetic Lock Relay LED will indicate status of the on-board relay even if a lock is not connected to the control board. Refer to page 34.

Lock Solenoid



BARRIER ARM SYNCHRONIZATION

Barrier Arm Synchronization

NOTE: The Control Board provides a convenient solution for applications that require synchronized operation with a Barrier Arm Operator.

This type of application opens and closes in the following pattern:

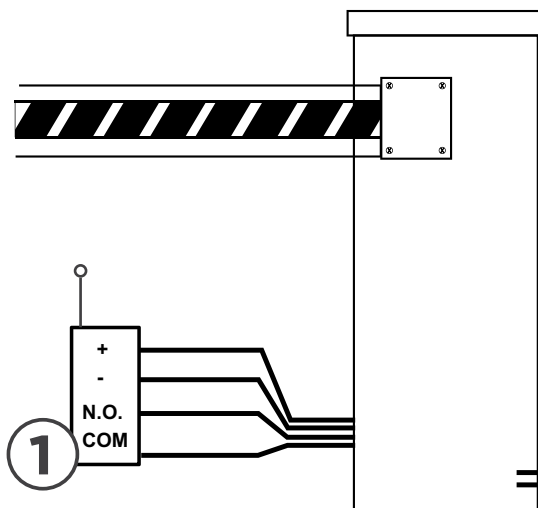
1. Open Command is provided only to the Barrier Arm operator.
2. The Barrier Arm will send an open input to the Viking gate operator; Barrier Arm will delay to open until the Viking gate operator reaches its Open Limit.
3. Barrier Arm will close first; the Viking gate operator will delay to close until the Barrier Arm reaches its Close Limit.

STEP 1 Primary Open input

At the Barrier Arm operator, connect the devices that will be used as the primary OPEN input.

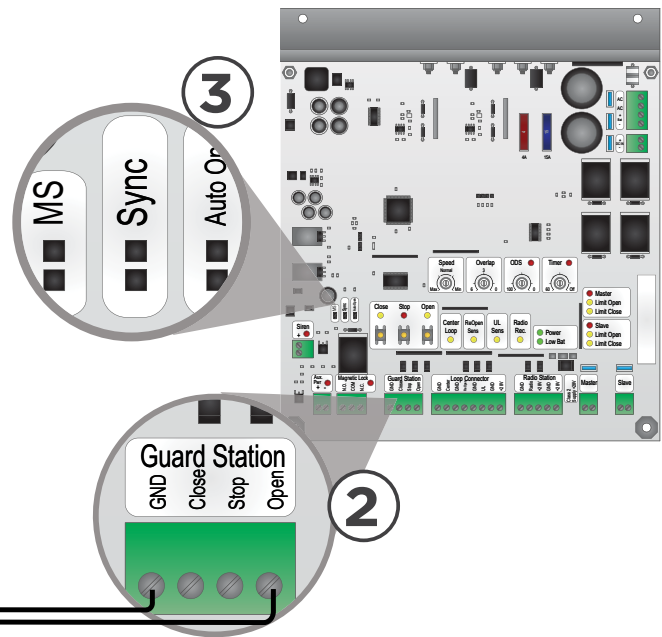
STEP 2 Trigger to Viking to begin opening

Connect the Barrier Arms' designated sync output terminals to the Strike input at the Viking gate operator.



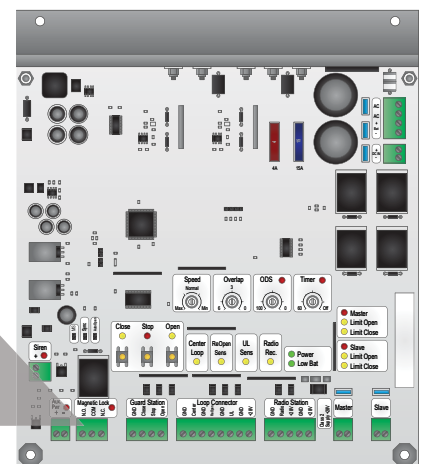
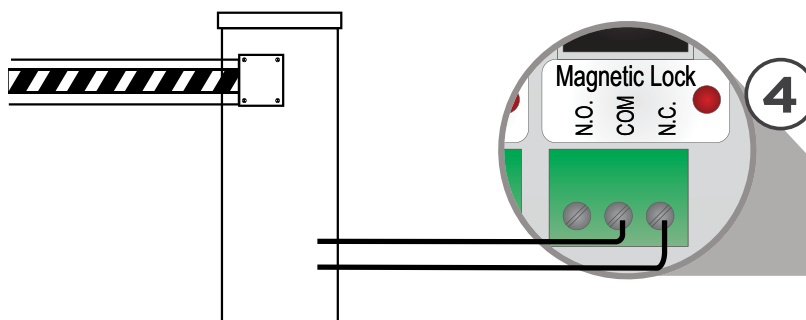
STEP 3 Activate Sync Mode on the Viking

At the Viking gate operator, activate Sync Mode by placing a jumper on to the pin headers labeled "SYNC".



STEP 4 Trigger to Barrier to beginning opening

Connect Magnetic Lock relay terminals ("COM" and "N.C.") to the Barrier Arms' designated sync input terminals.

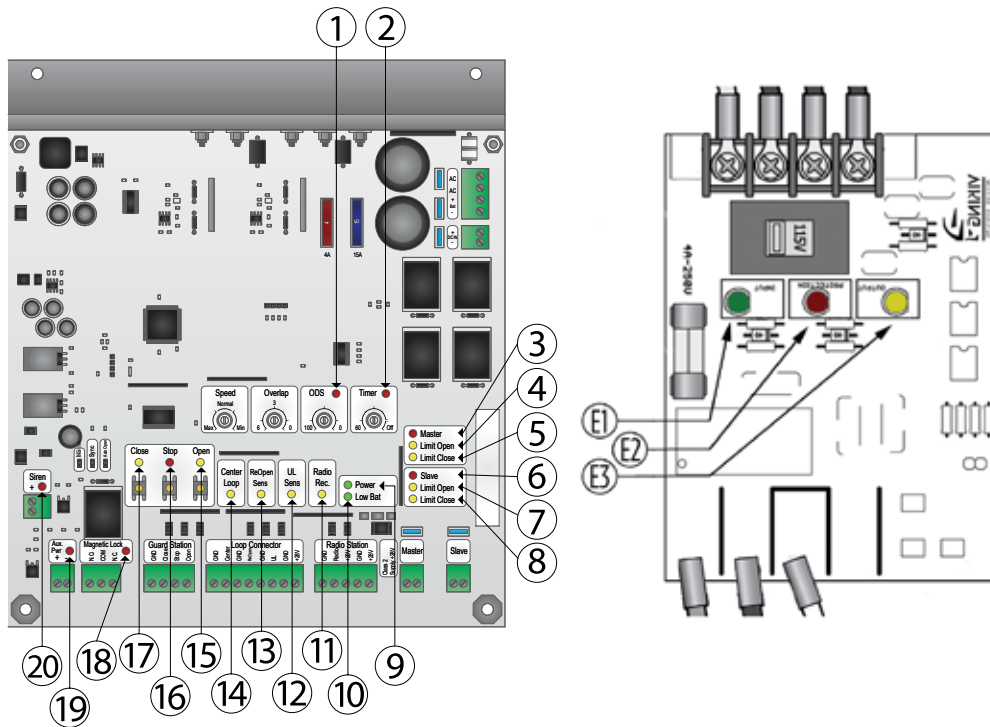


(THIS PAGE LEFT BLANK INTENTIONALLY)

TROUBLESHOOTING

LED References

The control board LEDs monitor the various circuits of the control board. Use the table below to identify the corresponding “TS Ref#” and refer to page 36 for further troubleshooting.



Page 36
TS Ref#(s)

#	LED	Status	Meaning	TS Ref#(s)
1	“ODS”	OFF	Normal Condition.	
		SOLID	Obstruction event has been detected on the MASTER motor. (pg 24, 26)	11, 13, 1, 2
		FLASHING	Overload event has been detected on the MASTER motor. (pg 24, 26)	11, 13, 1, 2
2	“Timer”	OFF	If gate is at the open limit, the Timer to close is turned OFF. (pg 24)	
		SOLID	Timer to close is ON and counting down to close the gate. (pg 24)	
		FLASHING	Timer is ON but is not timing out due to a conflicting command. (pg 24)	9, 10
3	“Master	OFF	Normal Condition.	
		SOLID	1: The control board is sending power to the Master motor but the circuit is open preventing the motor from running. 2: In conjunction with the ODS LED, confirms obstruction or overload event.	7, 8 11, 13, 1, 2
4	M “Limit Open”	OFF	Master gate is not at the open limit position.	
		SOLID	Master gate is at the open limit position.	
5	M “Limit Close”	OFF	Master gate is not at the close limit position.	
		SOLID	Master gate is at the close limit position.	
6	“Slave”	OFF	Normal Condition.	
		SOLID	1: The control board is sending power to the motor but the circuit is open preventing the motor from running. 2: In conjunction with the ODS LED, confirms obstruction or overload event.	7, 8
7	S “Limit Open”	OFF	Slave gate is not at the open limit position.	
		SOLID	Slave gate is at the open limit position.	
8	S “Limit Close”	OFF	Slave gate is not at the close limit position.	
		SOLID	Slave gate is at the close limit position.	

#	LED	Status	Meaning	TS Ref#(s)
9	"Power"	OFF	No power to control board or in Sleep Mode.	1, 23
		SOLID	Normal Condition.	
		FLASHING	Operator is running on batteries only. (pg 20-21)	1, 2
10	"Low Bat"	OFF	Normal Condition.	1, 2
		SOLID	Batteries are low. Check power supply to the operator. (pg 20-21)	
11	"Radio Rec"	OFF	Normal Condition.	9, 10
		SOLID	Control Board is receiving an input from a device connected to the Radio terminal. (pg 27, 37)	
12	"UL Sens"	OFF	Normal Condition.	9, 10, 16,22
		SOLID	Control Board is receiving an input from a device connected to the UL terminal or when more than one device is connected. (pg 10-11, 37)	
13	"ReOpen Sens"	OFF	Normal Condition.	9, 10
		SOLID	Control Board is receiving an input from a device connected to the Re-Open terminal or when more than one device is connected. (pg 29, 37)	
14	"Center Loop"	OFF	No voltage output on these terminals at the moment.	9, 10
		SOLID	An input from a device connected to the Center terminal. (pg 29, 37)	
15	"Open"	OFF	Normal Condition.	9, 10
		SOLID	An input from a device connected to the Open terminal. (pg 28, 37)	
16	"Stop"	OFF	Normal Condition.	9, 10, 16, 22
		SOLID	Control Board is receiving an input from a device connected to the Stop, UL or ReOpen terminals. (pg 28, 37)	
		FLASHING	There is a problem with the required monitored sensor(s) connected to the "UL" and/or "ReOpen input terminals. (pg 10-11)	
17	"Close"	OFF	Normal Condition.	9, 10
		SOLID	An input from a device connected to the Close terminal. (pg 28, 37)	
18	"Magnetic Lock"	OFF	At Closed Limit and Magnetic Lock Relay state is closed across "COM" & "N.C.". (pg 31). Gate should be at the Close Limit.	
		SOLID	Not at Closed Limit and Magnetic Lock Relay state is closed across "COM" & "N.O.". (pg 31). Gate should not be at the Close Limit.	
19	"Aux. Pwr"	OFF	No voltage output on these terminals at the moment.	
		SOLID	There is 24VDC output on these terminals at the moment.	
20	"Siren"	OFF	Normal Condition.	11, 13, 1, 2
		SOLID	Second consecutive obstruction has been detected. (pg 24, 26)	
		FLASHING	Batteries are critically low.	
E1	"AC VOLTAGE INPUT"	SOLID	Normal Condition.	1
		OFF	Incoming power to the EMI Board is not sufficient..(pg 20)	
E2	"PROTECTION WORKING"	SOLID	Normal Condition.	
		OFF	EMI Board is damaged and circuit is not protected . Replace EMI Board.	
E3	"AC VOLTAGE OUTPUT"	SOLID	Normal Condition.	2
		OFF	There is no output voltage from the EMI Board.	

TROUBLESHOOTING

Solutions

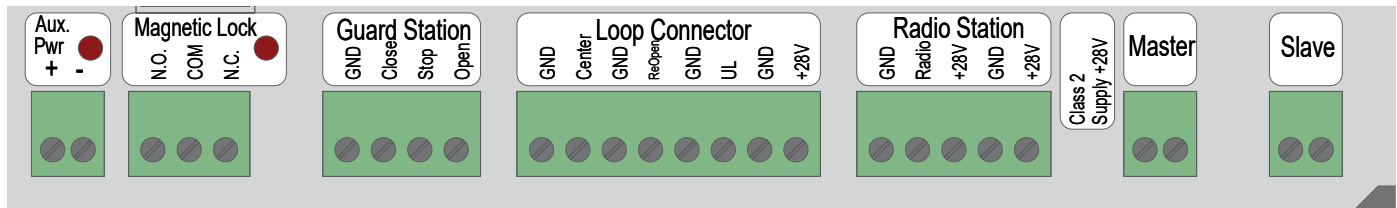
Begin the troubleshooting process by referring to the Status LEDs on the control board. Use pages 34-35 to identify the Troubleshooting Reference # (TS Ref#) then reference the table below.

TS Ref#	CHECK	Page Ref#
1	Check that the high voltage power supplied to “EMI Board” is within range. 100V-120V or 200V-240V.	pg 20
2	Remove and check EMI Fuse for continuity.	pg 20
3	Check that the “Voltage Selector”, on the EMI Board, is set according to the high voltage power supply. 115V AC or 230V AC.	pg 20
4	Not applicable to this model.	
5	Check that the Power Harness is connected to the control board.	pg 4, 20
6	Not applicable to this model.	
7	Check Motor Fuse on the control board.	pg 4
8	Check that the operator is not in Manual Release mode.	
9	Check the Status LEDs to determine if the control board is receiving an input from any external devices or if the “ODS” has been triggered.	pg 24, 26 34-35
10	Remove the external devices from the control board to determine if the control board is responding to an input or problem with the external device or wiring.	pg 27-29, 34-35
11	Check the “ODS” setting on the control board.	pg 26
12	Check that the gate can be moved manually with low resistance throughout its full range of motion.	pg 8
13	Check the limit position.	
14	Not applicable to this model.	
15	Not applicable to this model.	
16	Not applicable to this model.	
17	Not applicable to this model.	
18	Check 4 Amp fuse on the control board.	pg 4
19	Manually adjust any setting on the Control Board to clear all wireless override settings.	
20	Check for 24VAC out from the Toroidal Transformer and Power Harness	pg 4, 20
21	Not applicable to this model.	
22	Check the secondary entrapment protection sensors connected to “UL” terminal.	pg 10-11
23	The control board will go into sleep mode after 10 seconds of inactivity and all LEDs will go out. Any command or input (excluding “UL” and “ReOpen”) will wake up the control board.	
?	The Control Board. Call Viking Technical Support for further assistance.	

Access Control Connections

Power Connections

The control board provides a 24VDC output to power external devices and controls. Alternatively, for devices that require a power supply other than 24VDC, the operators Power Box contains a convenient 120VAC receptacle to connect a plug-in transformer.



Terminals Connections and Input Functions:

"C"	=	Common
"N.O."	=	Normally Open

Viking Terminal	Function	Device Terminal
" +28V "	24VDC Positive	" + "
" GND "	24VDC Negative	" - "
" GND "	Relay Common	" C "
" Radio "	Open - Stop - Close	" N.O. "
" UL "	(see pages 10 & 11) If stopped: Prevents the gate from moving If traveling: Stops then reverses gate momentarily	" N.O. "
" ReOpen "	(see pages 10 & 11) If stopped: No function If closing: Stops then Opens gate	" N.O. "
" Center "	If not at open limit: No function If at open limit: Prevents gate from Closing	" N.O. "
" Open "	If stopped: Opens gate If closing: Stops then Opens gate	" N.O. "
" Stop "	If traveling: Stops gate	" N.O. "
" Close "	If stopped: Closes gate If traveling: No function	" N.O. "

! TECHNICAL TIP: Each input Terminal (i.e. Radio, Open, ReOpen, UL) has a corresponding Status LED that when illuminated indicates an input is currently being provided to the terminal and the gate is responding accordingly. (See pages 34-35 LED References)

APPENDIX (A)

Relays In General

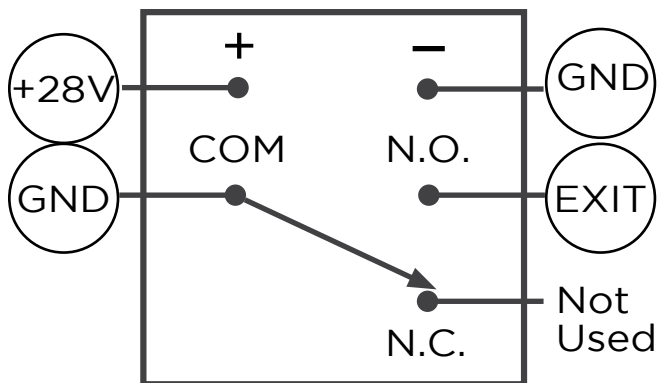
NOTE: Viking Access Systems does not provide the external safety devices and access controls. These items can be purchased from your dealer or distributor.

In General

In regards to the Viking control board, all external safety devices and access controls contain, and are, simple relays that provide an input to the Viking control board when the device is activated.

When these devices are activated, their internal relays create a contact, or short, between the “C” and “N.O.” terminals. This contact is what provides the command to the Viking control board.

! TECHNICAL TIP: Viking uses the Normally Open “N.O.” contact from the device, excluding “fail-safe” type photo beams. In such instances, the Normally Closed “N.C.” will be used instead.



Glossary of Terms

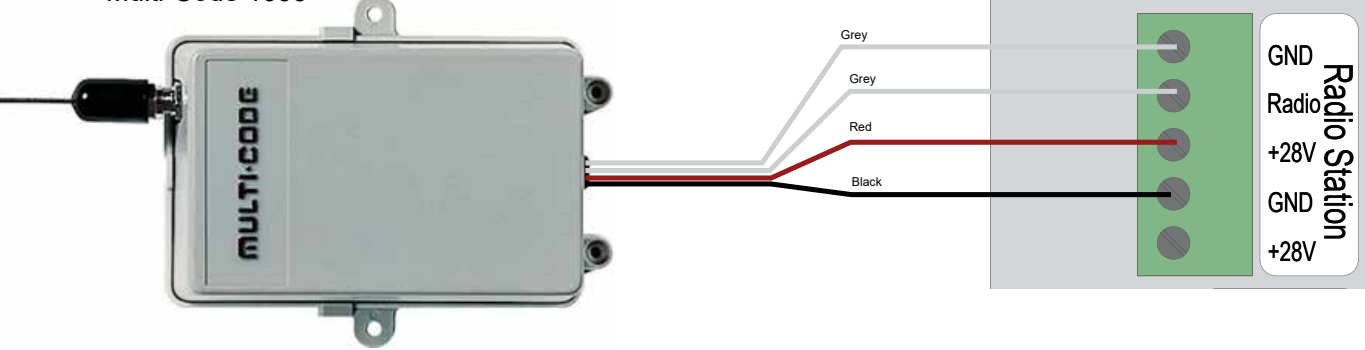
- 1. Terminal:** Wire Connections.
- 2. Input Terminal:** On the Viking control board, the terminal which is labeled for a specific command (Re-Open, Exit, Radio, etc.). The N.O. contact from the access control device is to be connected to the Input Terminal.
- 3. Terminal Block:** On the Viking control board, a removable block containing multiple terminals.
- 4. Relay:** The component of an access control or safety device that provides an input or command to the Viking control board.
- 5. “C” Relay Common Terminal:** This is the relay terminal that makes contact (a short) to the N.O. terminal when the device is activated. *Always wire this relay terminal to any “GND” terminal at the control board.*
- 6. “N.O.” Relay Normally Open Terminal:** The relay terminal that has an open contact to “C” while the relay is not activated, and a closed contact when the relay is activated. *Almost always wire this relay terminal to an “Input Terminal” at the control board,*
- 7. “N.C.” Relay Normally Closed Terminal:** The relay terminal that has a closed contact to “C” while the relay is not activated, and an open contact when the relay is activated. *This terminal is rarely used.*
- 8. Relay Coil:** Contains the terminals that provide power at the relay.
- 9. “+” Relay Positive Terminal:** The positive power pole for the relay coil. *Always wire this relay terminal to any “+28V” terminal at the control board.*
- 10. “-” Relay Negative Terminal:** The negative power pole for the relay coil. *Always wire this relay terminal to any “GND” terminal at the control board.*

Appendix (B)

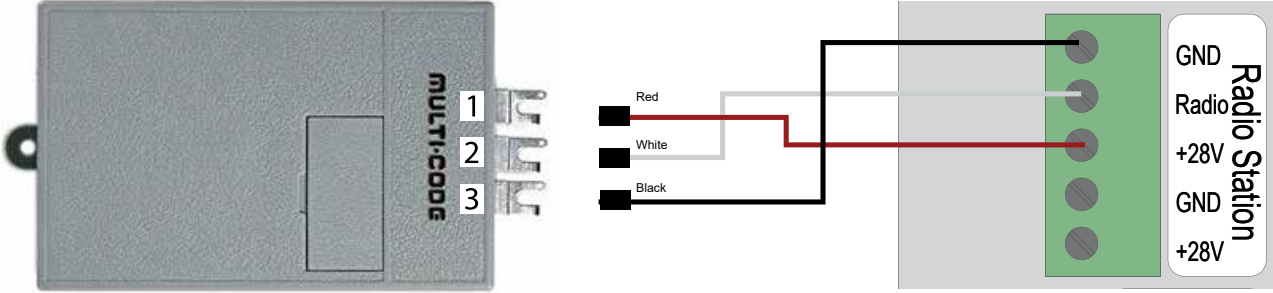
⚠ Cable use in Class 2 circuit to an external device shall be type CL2, CL2P, CL2R, CL2X or other cable with equivalent or better electrical, mechanical, and flammability ratings.

Common Radio Receivers - Connections

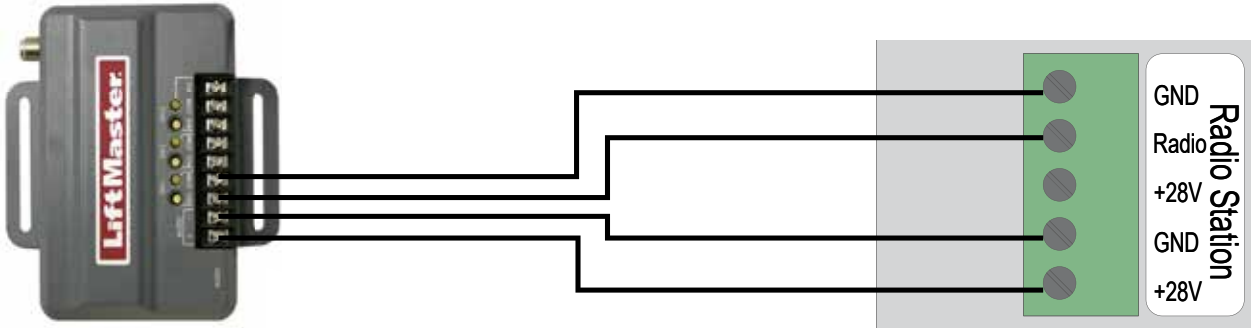
Multi-Code 1099



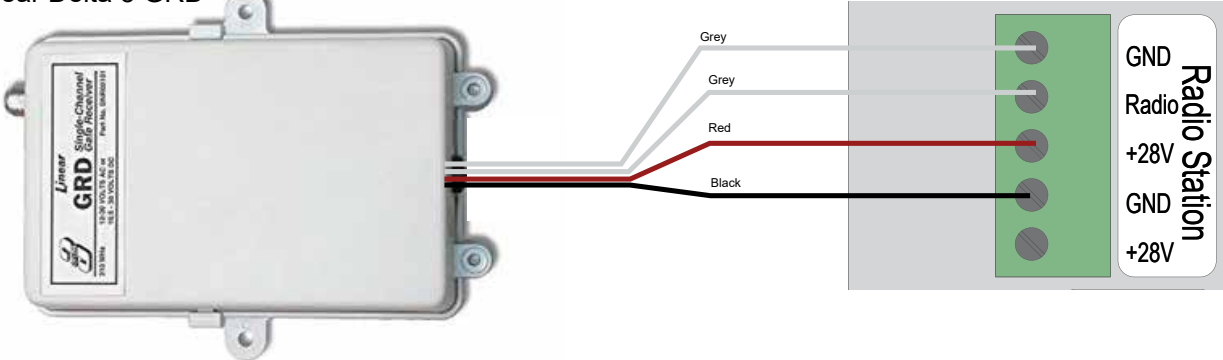
Multi-Code 1090



Liftmaster 850LM



Linear Delta 3 GRD



Appendix (B)

⚠ Cable use in Class 2 circuit to an external device shall be type CL2, CL2P, CL2R, CL2X or other cable with equivalent or better electrical, mechanical, and flammability ratings.

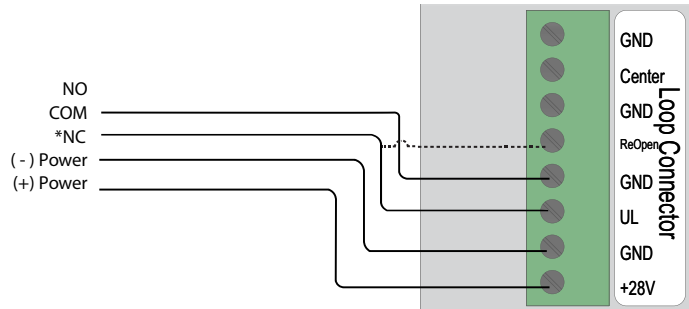
Common Monitor Photoeye Connections

NOTE: *The ReOpen connection is also monitored and can be used in addition to the UL. Refer to pages 10-11 for details regarding the operator UL requirements.

Omron E3K



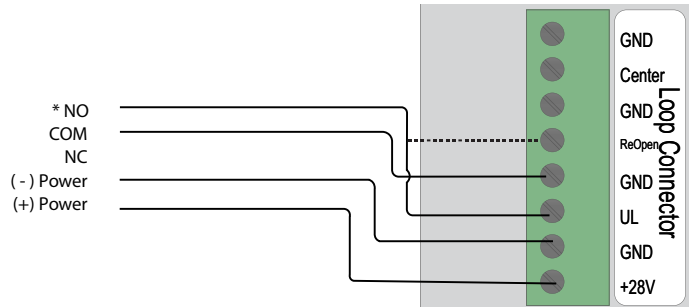
NO
COM
*NC
(-) Power
(+) Power



EMX IRB-RET



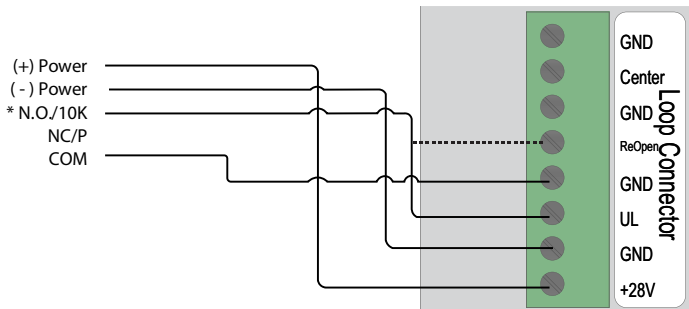
* NO
COM
NC
(-) Power
(+) Power



Miller Edge Prime Guard



(+) Power
(-) Power
* N.O./10K
NC/P
COM



VIKING EXPANSION PRODUCTS



VIKING MONITOR Off-site access to operator diagnostics and perform firmware updates from just about anywhere with cellular service. With the Viking App, this tool allows you to monitor and label multiple operators by site and location for quick reference. Provides error notifications, operator status, settings and diagnostic information.

Part# VA-MONITOR

****Q-7, B-12 & ECU Operators require (1) Antenna Extension Cable (part# VA-RPSMA)****



VIKING APP Mobile device user interface application for Viking Monitor. Available for iOS, Android and Windows operating systems. Free for download from your mobile device application store or www.vikingaccess.com



VIKING AC SURGE PRO Adds another layer of protection to the high voltage power supply of your gate operator. Connecting the AC Surge Pro in parallel to the EMI Board, provides a dual layer of protection from surges up to 20,000 Volts / 10,000 Amps. **Part# VA-SURGEPROAC**



VIKING SOLAR KIT The components included in this package are intended to provide sufficient power for general applications. **Part# VA-SOCHP**

This Kit includes the following components:

- (2) **12V 40W Solar Panels** Part# VA-S040W (**wired in series = 24V 80W**)
- (2) **12V 35Ah batteries** Part# DUBA35 (**wired in series = 24V 35Ah**)
- (1) **Solar Charger** Part# SOCHR10
- (1) **Solar Power Harness** Part# SOHAR

! NOTE: The number of cycles achieved from this kit are dependent upon the following and may require increased panel and battery capacities:

- Power consumption of all accessories being used
- Average solar radiation of geographic location

(THIS PAGE LEFT BLANK INTENTIONALLY)

(THIS PAGE LEFT BLANK INTENTIONALLY)

(THIS PAGE LEFT BLANK INTENTIONALLY)



OUR CONTINUOUS COMMITMENT TO EXCELLENCE

Viking Access Systems is continuously working hard to identify and design products that will appeal to the industry and its needs. As technology continues to advance, we have developed a completely efficient and intelligent line of gate operators to meet the changing demands. These machines offer: full UL325 and UL991 compliance, soft-start and soft-stop, intelligent obstruction sensors, continuous operation (100% duty cycle) and extreme power efficiency. Innovative features include: adaptive and self-learning algorithms, redundancy design in both hardware and software to ensure operation and functionality, protection from lightning, short circuit and power surges, and our exclusive helical gearing offering the highest efficiency rating in the industry. Our entire product line is continually modified and improved based on the latest technology and our customer's valuable feedback. The results are products that offer accuracy, efficiency, reliability and performance, all in sleek, high-tech designs.

We pledge to continue establishing ourselves as the leader in high quality, innovative gate operators by developing "Next Level" technology. We are committed to providing safety and convenience with innovative solutions for every security gate need.





VIKING ACCESS SYSTEMS

631 Wald Irvine, CA 92618

Phone 800.908.0884

Fax 949.753.1640

www.vikingaccess.com

INSTALLATION DATE: _____ NOTES: _____

COMPANY / INSTALLER: _____

CONTACT: _____

SERIAL NUMBER(S): _____

ALL INSTALLATION, MAINTENANCE AND REPAIR WORK MUST BE DOCUMENTED AND MADE AVAILABLE TO THE USER.